

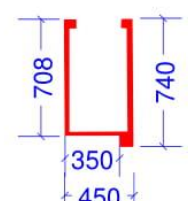
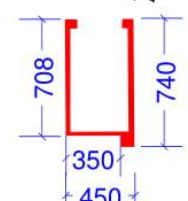
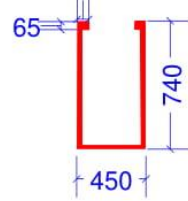
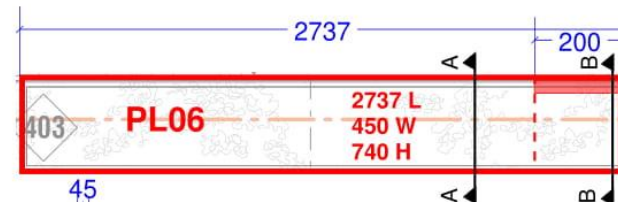
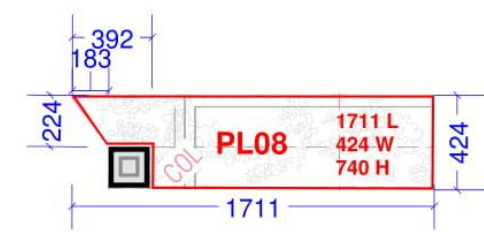
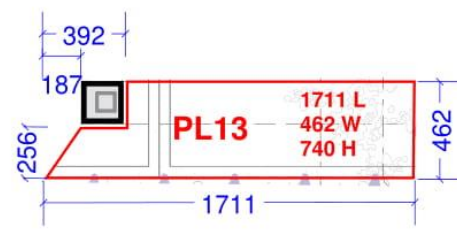
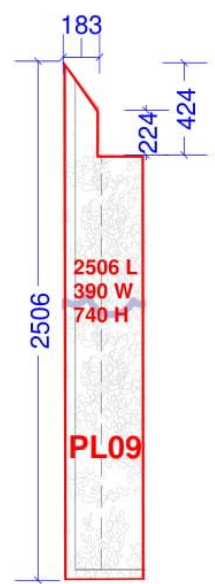
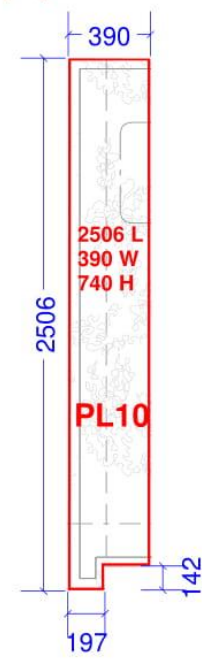
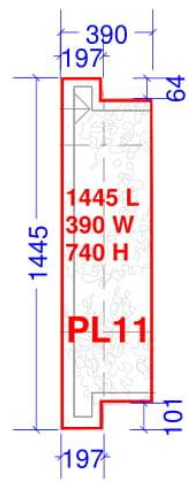
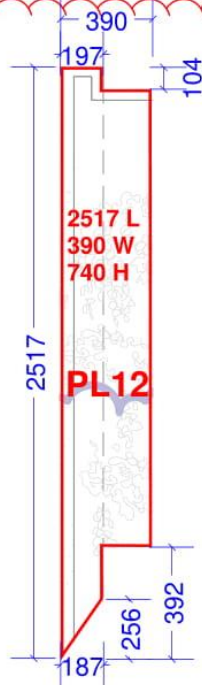
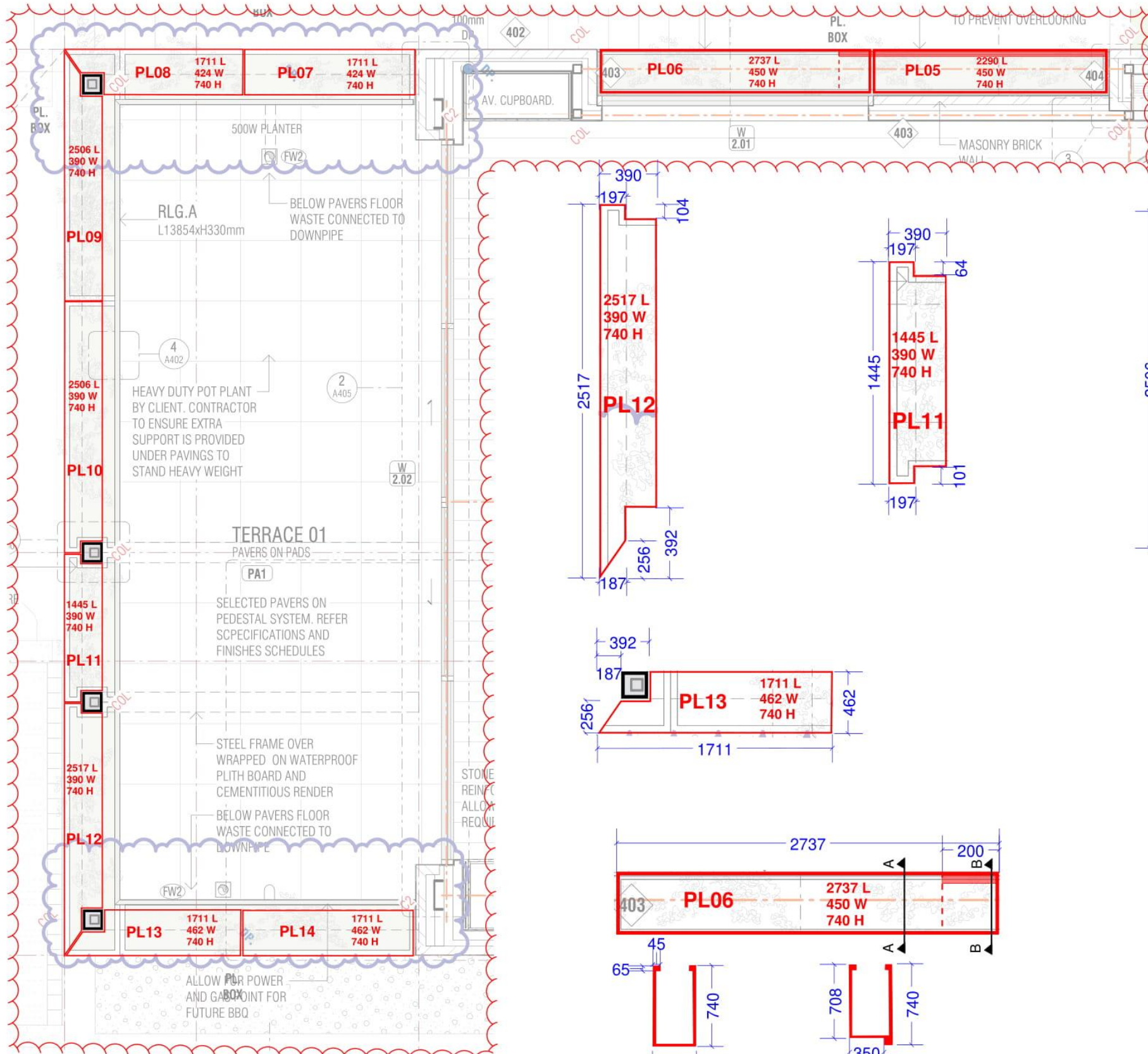
**Satu Bumi**

Advanced Concrete Technology

12472 – 18 Cloverdale Ave,  
Toorak

19th March 2021





Section A-A

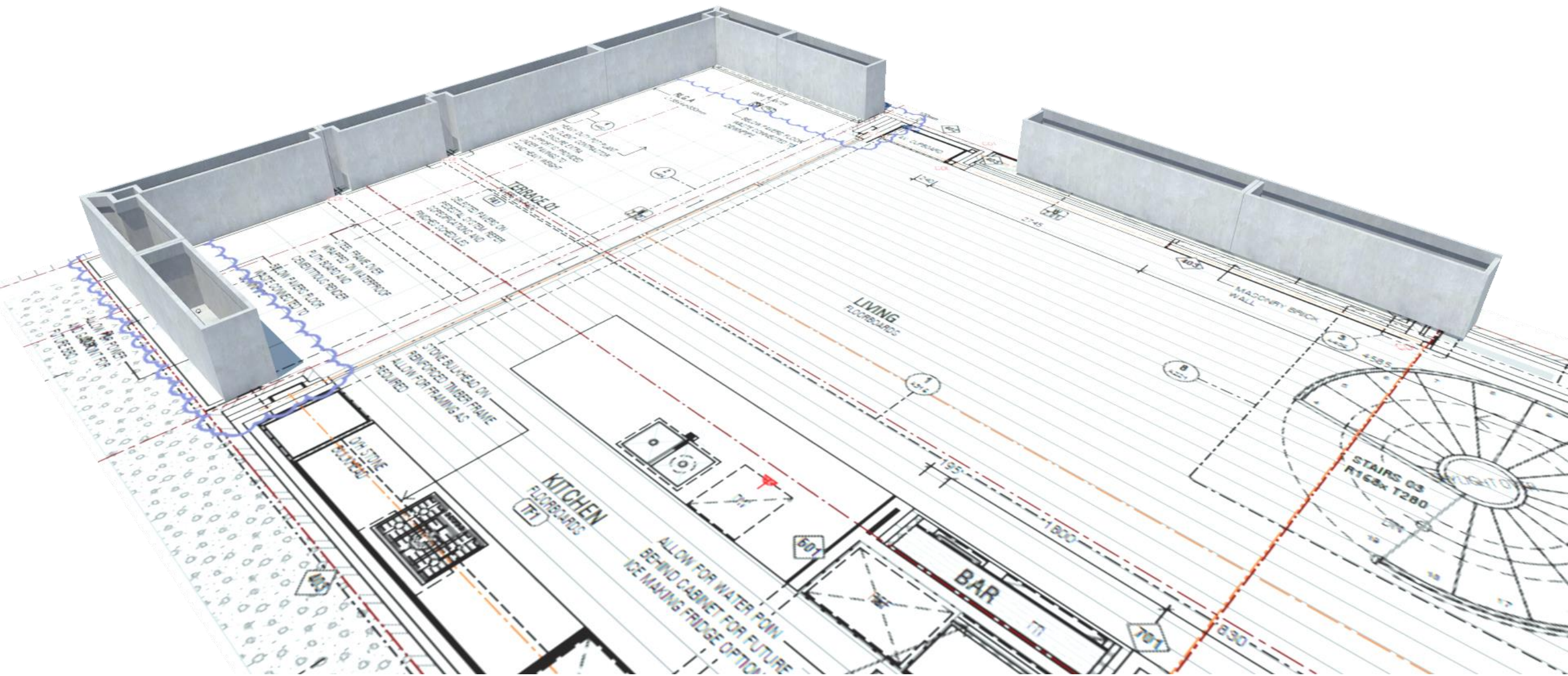
Section B-B

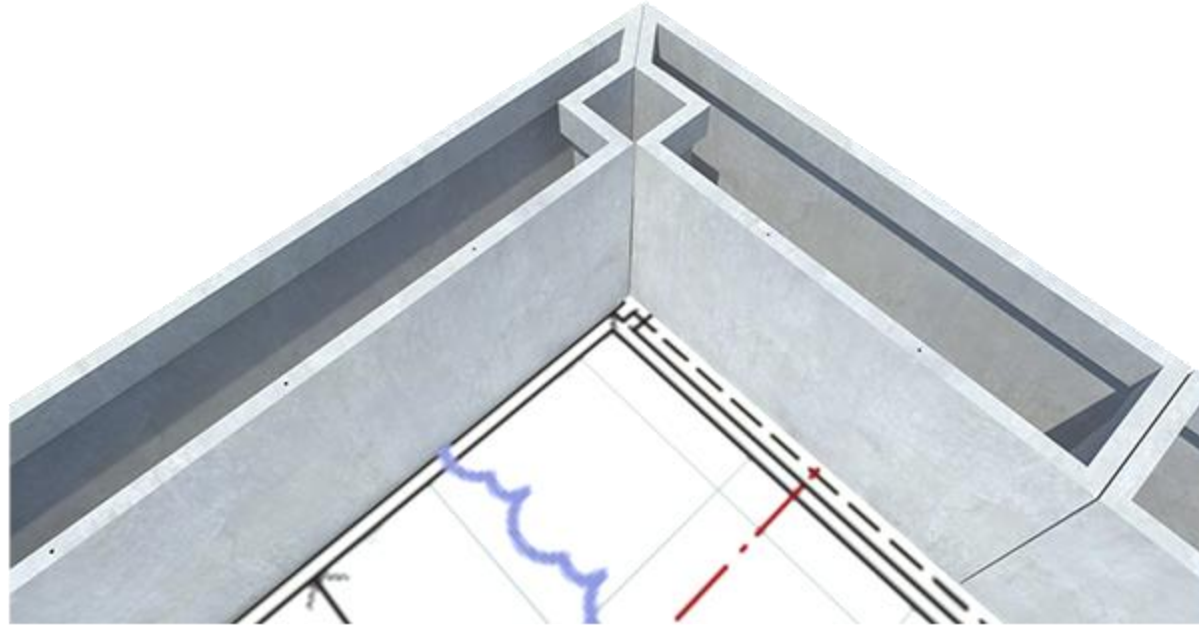
Section C-C



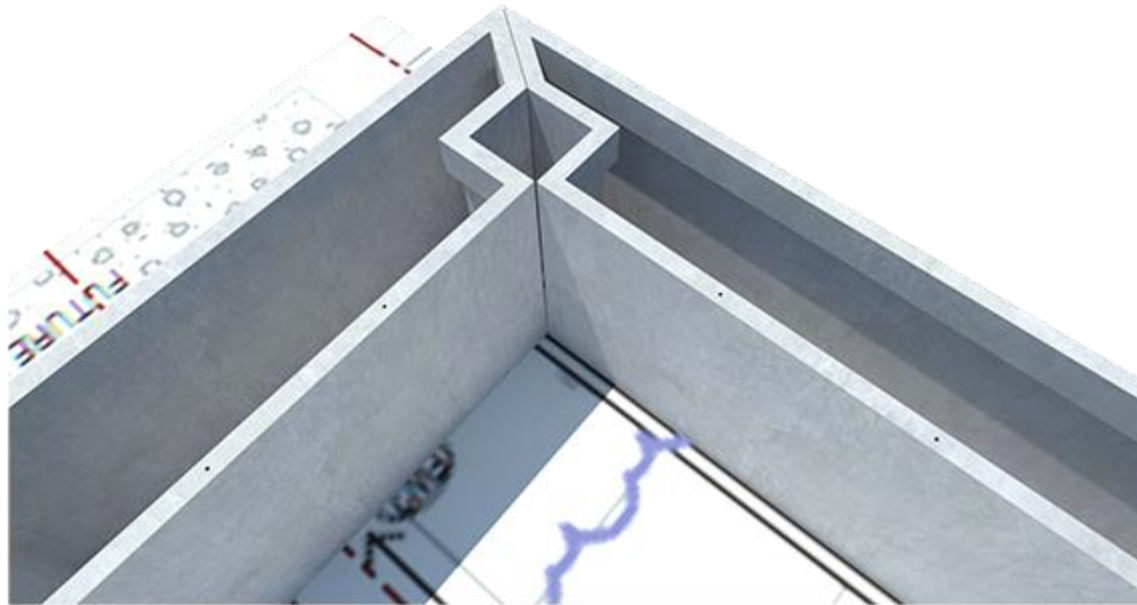
# LEVEL 2

## 18 CLOVERDALE AVE



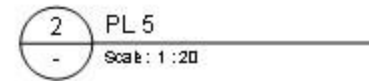
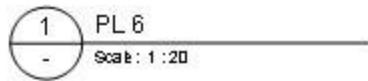
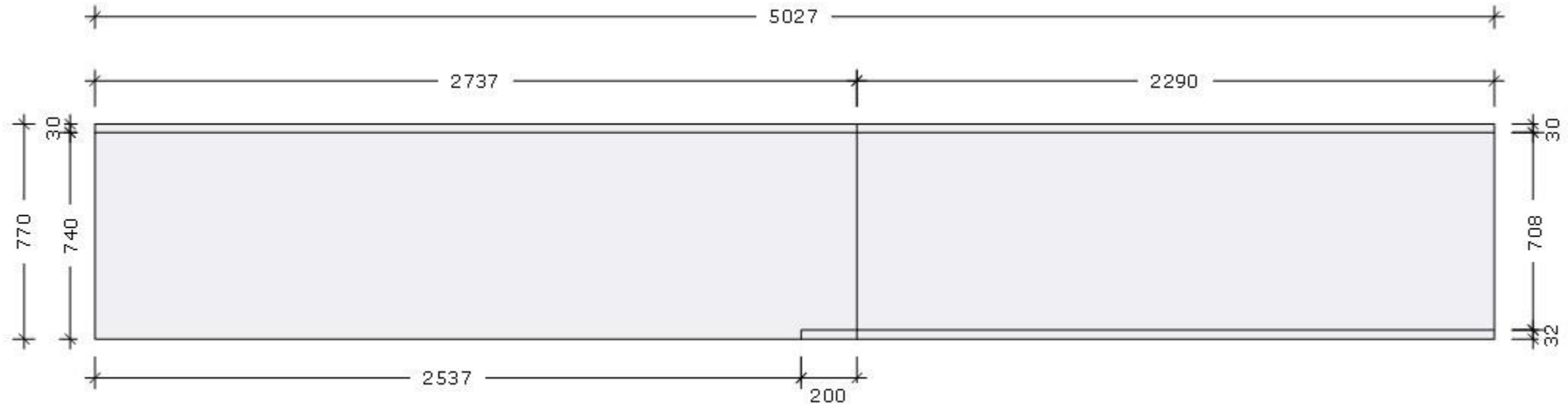


1 Zoom View PL-8 & PL-9

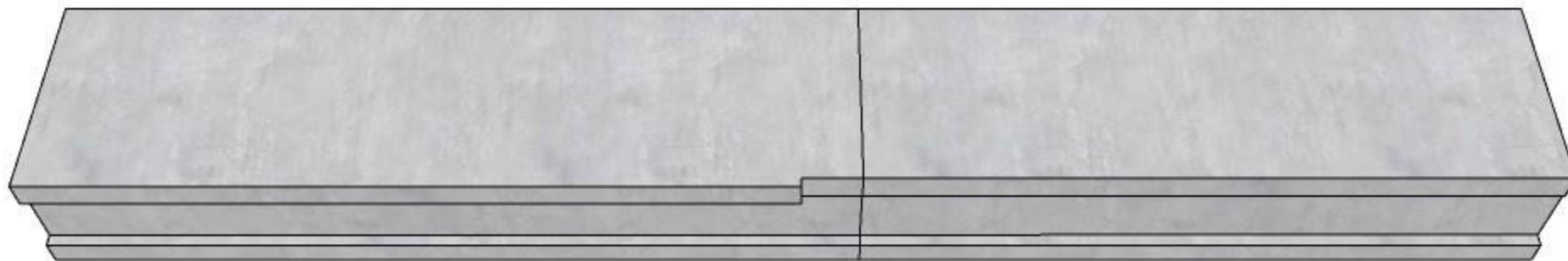


2 Zoom View PL-12 & PL-13

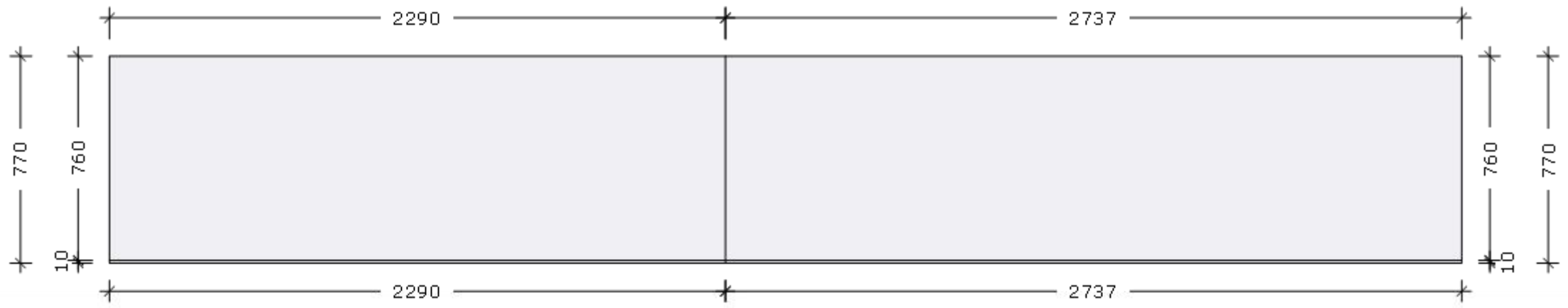
PL-5 and PL 6 Inside View



Terrace or Inside View



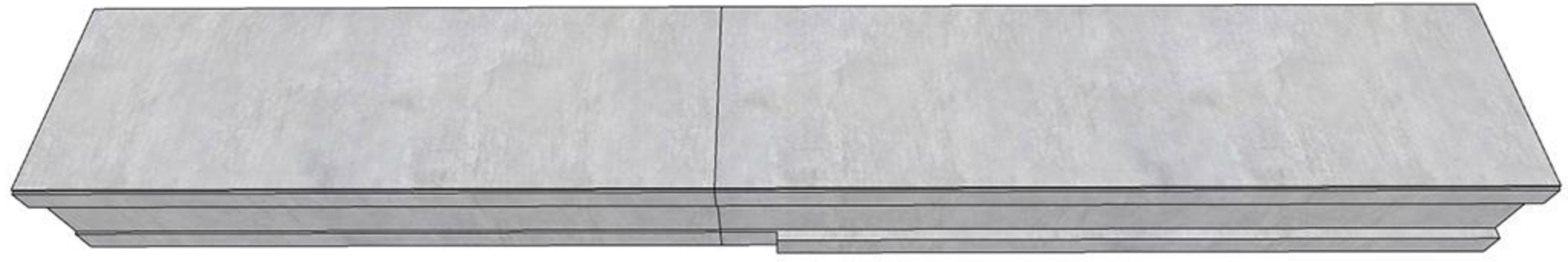
# PL-5 and PL 6 Outside View



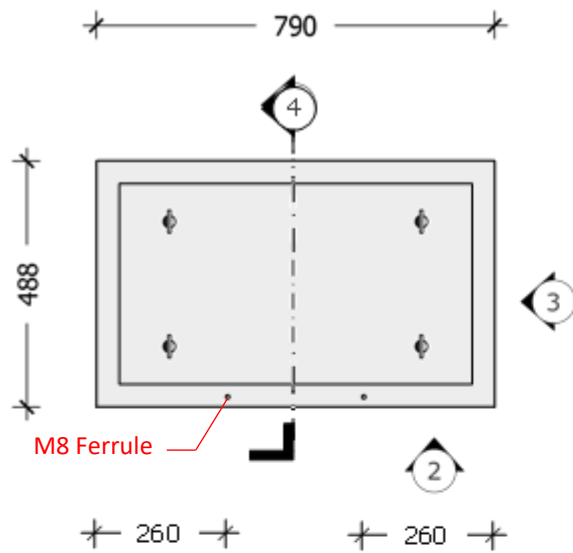
1 PL 5  
Scale: 1:20

2 PL 6  
Scale: 1:20

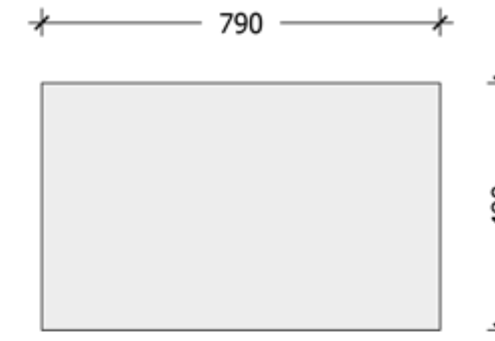
Outside View



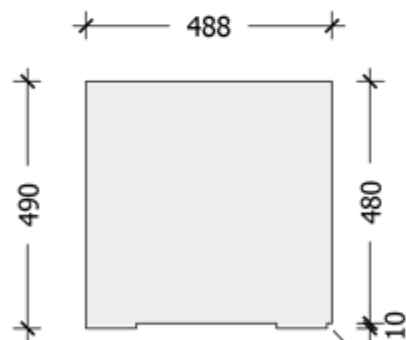




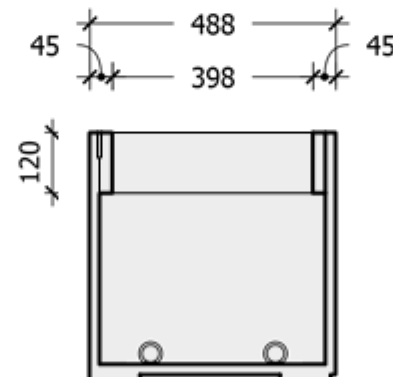
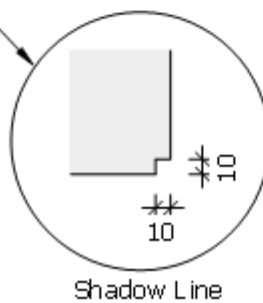
1 Plan View  
 Scale: 1 : 15



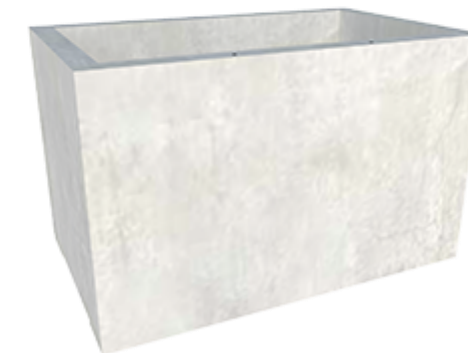
2 Front View  
 Scale: 1 : 15



3 Side View  
 Scale: 1 : 15



4 Section View  
 Scale: 1 : 15



5 3D View

Project Name:  
 12472 - 18 Cloverdale Ave, Toorak  
 Order Quantity:  
 1  
 Customer Approval:

Sign Here

Product Name:  
 PL-1  
 Product Code:  
 7050.0.049.079.048  
 Product Dimensions:  
 790L x 488W x 490H  
 Weight Estimate (Kg):  
 85 Kg

Colour:  
 Natural Grey  
 Internal Sealant:  
 Bitumen Membrane  
 External Sealant:

Drainage Riser:

Lifting Lugs:  
 M12

Additional Notes:

2 pieces of M8 ferrule embedded in the lip planter

Scale:  
 1 : 15 @A3

Rev:

C

Date:

16 / 03 / 2021

Drawn By:

Z A D

Approved By

B D A

**Project Name:**  
 12472 - 18 Cloverdale Ave, Toorak  
**Order Quantity:**  
 1  
**Customer Approval:**

Sign Here \_\_\_\_\_

**Product Name:**  
 PL-2  
**Product Code:**  
 7050.0.049.225.048  
**Product Dimensions:**  
 2255L x 488W x 490H  
**Weight Estimate (Kg):**  
 190 Kg

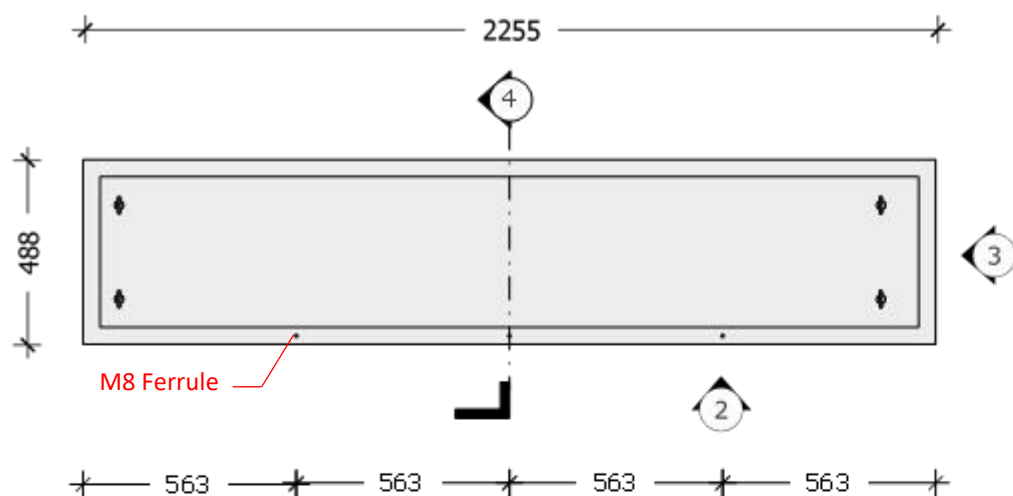
**Colour:**  
 Natural Grey  
**Internal Sealant:**  
 Bitumen Membrane  
**External Sealant:**

**Drainage Riser:**

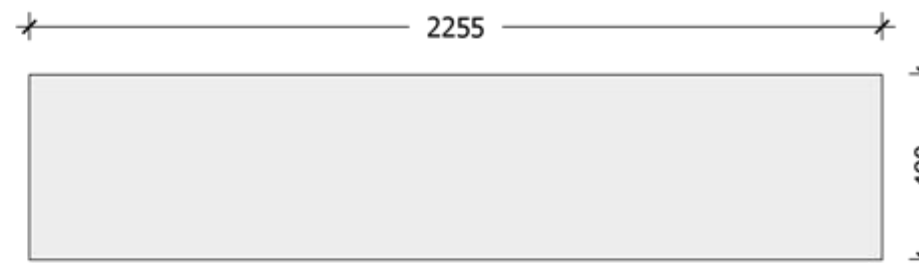
**Lifting Lugs:**  
 M12

**Additional Notes:**  
 3 pieces of M8 ferrule embedded in the lip planter

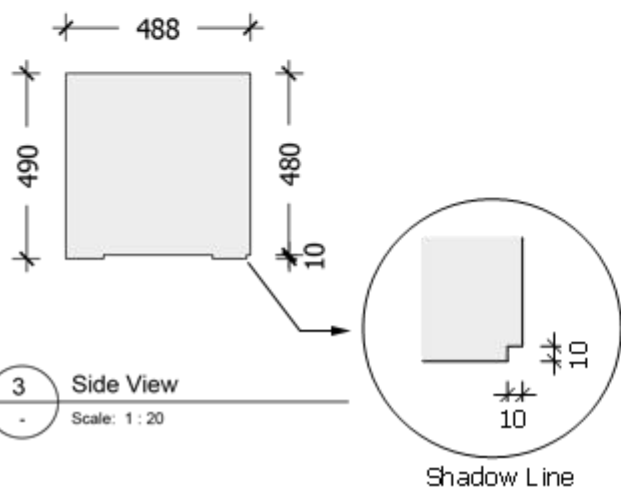
**Scale:**  
 1 : 20 @A3  
**Rev:**  
 C  
**Date:**  
 17 / 03 / 2021  
**Drawn By:**  
 Z A D  
**Approved By:**  
 B D A



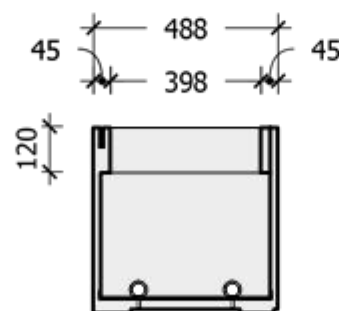
**1 Plan View**  
 Scale: 1 : 20



**2 Front View**  
 Scale: 1 : 20



**3 Side View**  
 Scale: 1 : 20



**4 Section View**  
 Scale: 1 : 20



**5 3D View**

**Project Name:**  
 12472 - 18 Cloverdale Ave, Toorak  
**Order Quantity:**  
 1  
**Customer Approval:**

Sign Here \_\_\_\_\_

**Product Name:**  
 PL-3  
**Product Code:**  
 7050.0.049.225.048  
**Product Dimensions:**  
 2255L x 488W x 490H  
**Weight Estimate (Kg):**  
 190 Kg

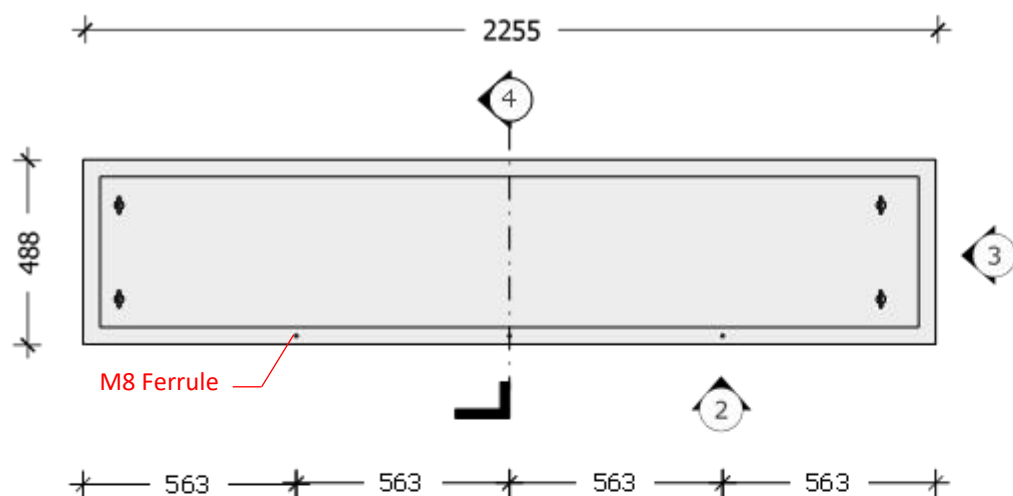
**Colour:**  
 Natural Grey  
**Internal Sealant:**  
 Bitumen Membrane  
**External Sealant:**

**Drainage Riser:**

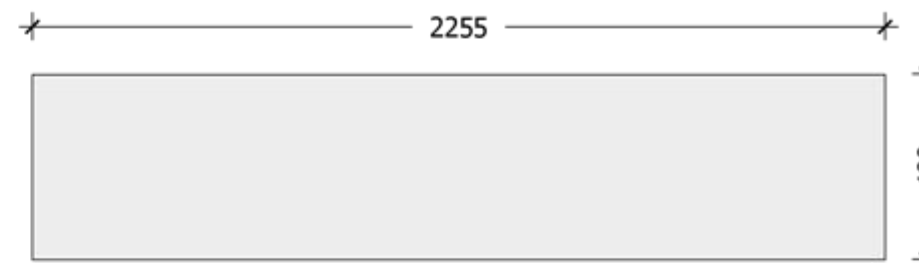
**Lifting Lugs:**  
 M12

**Additional Notes:**  
 3 pieces of M8 ferrule embedded in the lip planter

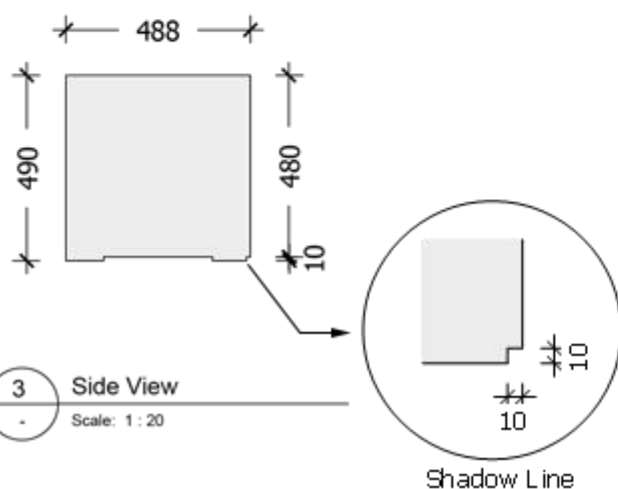
**Scale:**  
 1 : 20 @A3  
**Rev:**  
 C  
**Date:**  
 17 / 03 / 2021  
**Drawn By:**  
 Z A D  
**Approved By:**  
 B D A



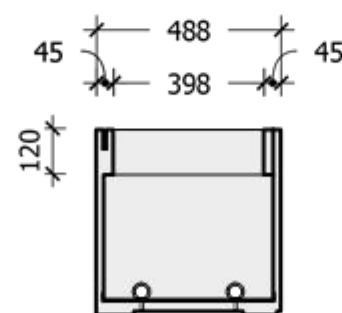
**1 Plan View**  
 Scale: 1 : 20



**2 Front View**  
 Scale: 1 : 20



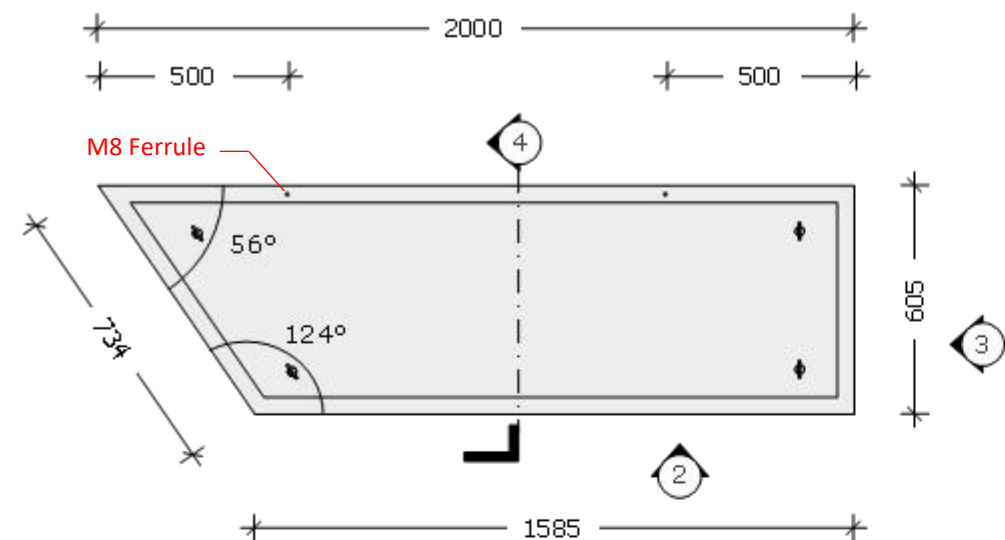
**3 Side View**  
 Scale: 1 : 20



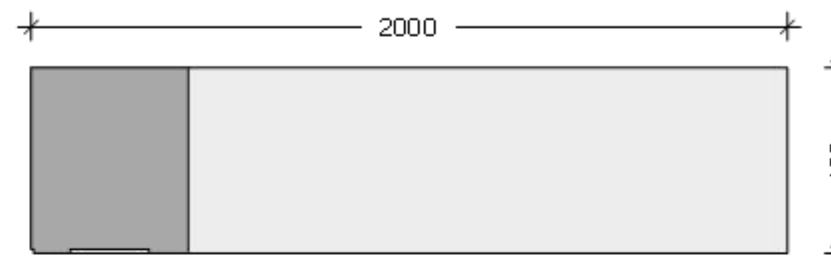
**4 Section View**  
 Scale: 1 : 20



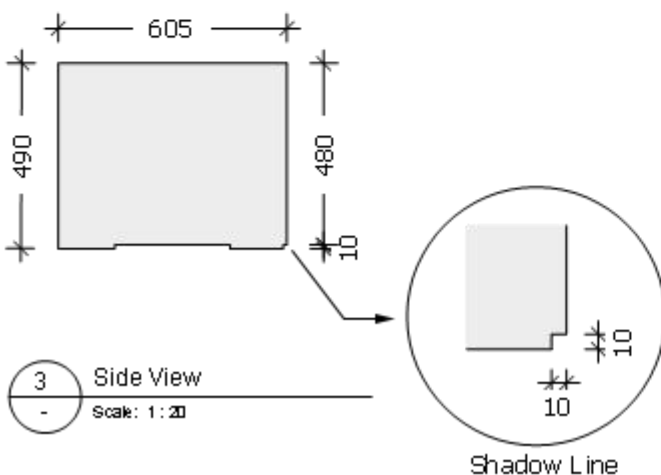
**5 3D View**



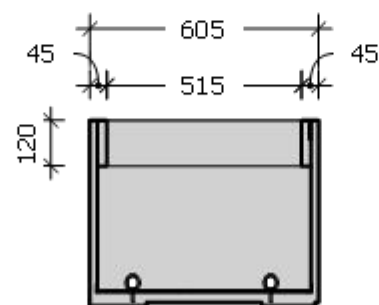
1 Plan View  
 - Scale: 1 : 20



2 Front View  
 - Scale: 1 : 20



3 Side View  
 - Scale: 1 : 20



4 Section View  
 - Scale: 1 : 20



5 3D View  
 -

Project Name:  
 12472 - 18 Cloverdale Ave, Toorak  
 Order Quantity:  
 1  
 Customer Approval:

Sign Here

Product Name:  
 PL-4  
 Product Code:  
 7050.0.049.200.060  
 Product Dimensions:  
 2000L x 605W x 490H  
 Weight Estimate (Kg):  
 175 Kg

Colour:  
 Natural Grey  
 Internal Sealant:  
 Bitumen Membrane  
 External Sealant:

Drainage Riser:

Lifting Lugs:  
 M12

Additional Notes:  
 2 pieces of M8 ferrule embedded in the lip planter

Scale:  
 1 : 20 @A3  
 Rev:  
 C  
 Date:  
 16 / 03 / 2021  
 Drawn By:  
 Z A D  
 Approved By:  
 B D A

**Project Name:**  
 12472 - 18 Cloverdale Ave, Toorak  
**Order Quantity:**  
 1  
**Customer Approval:**

Sign Here

**Product Name:**  
 PL-5  
**Product Code:**  
 7050.0.077.229.045  
**Product Dimensions:**  
 2290L x 450W x 770H  
**Weight Estimate (Kg):**  
 255 Kg

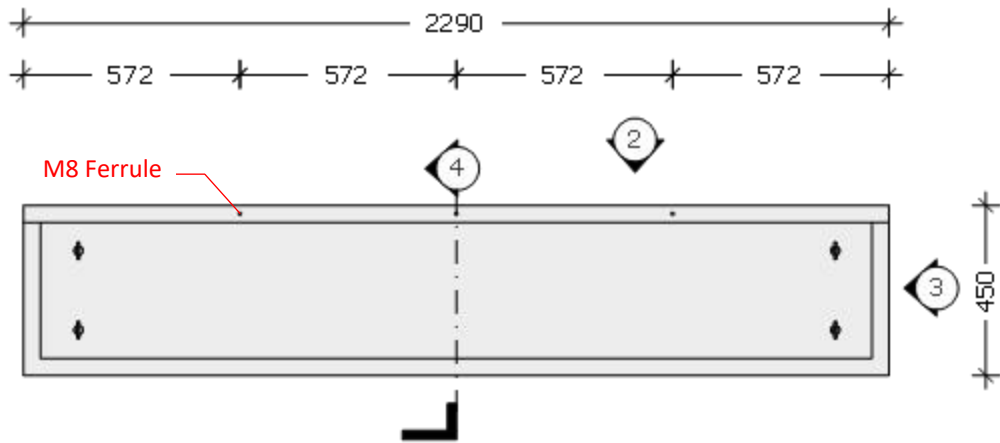
**Colour:**  
 Natural Grey  
**Internal Sealant:**  
 Bitumen Membrane  
**External Sealant:**

**Drainage Riser:**

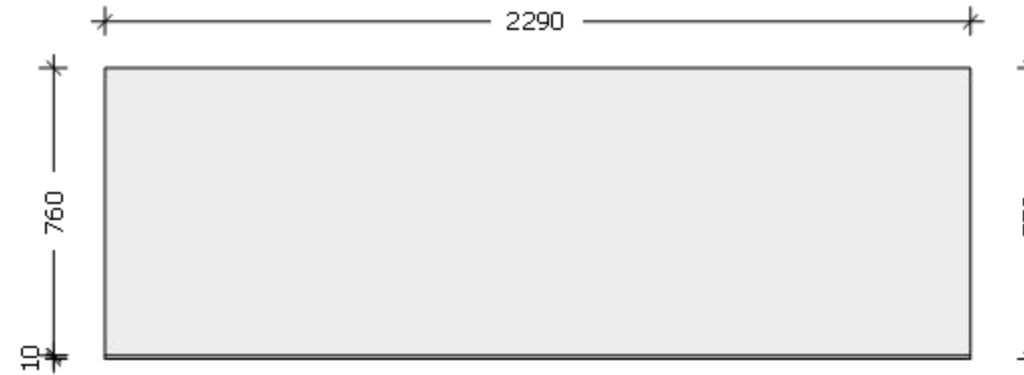
**Lifting Lugs:**  
 M12

**Additional Notes:**  
 3 pieces of M8 ferrule embedded in the lip planter

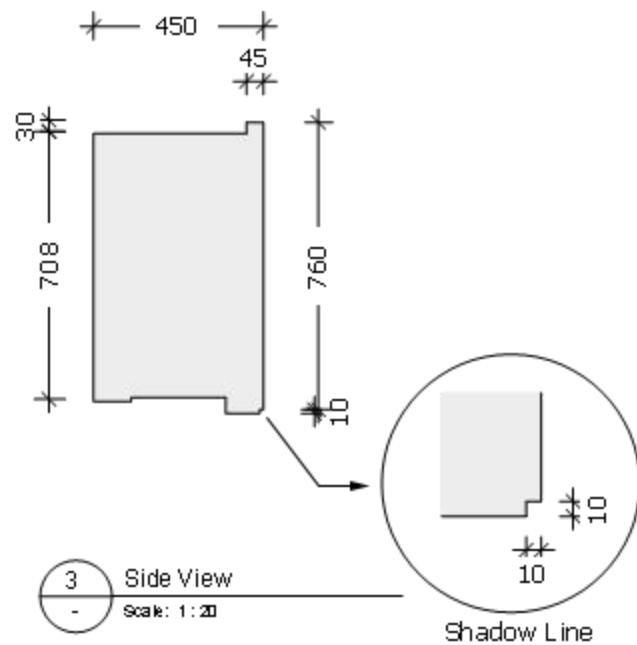
**Scale:**  
 1 : 20 @A3  
**Rev:**  
 C  
**Date:**  
 17 / 03 / 2021  
**Drawn By:**  
 Z A D  
**Approved By:**  
 B D A



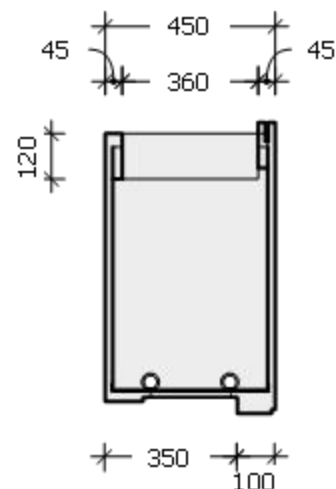
1 Plan View  
 Scale: 1 : 20



2 Back View  
 Scale: 1 : 20



3 Side View  
 Scale: 1 : 20



4 Section View  
 Scale: 1 : 20



5 3D View

**Project Name:**  
 12472 - 18 Cloverdale Ave, Toorak  
**Order Quantity:**  
 1  
**Customer Approval:**

Sign Here

**Product Name:**  
 PL-6  
**Product Code:**  
 7050.0.077.273.045  
**Product Dimensions:**  
 2737L x 450W x 770H  
**Weight Estimate (Kg):**  
 285 Kg

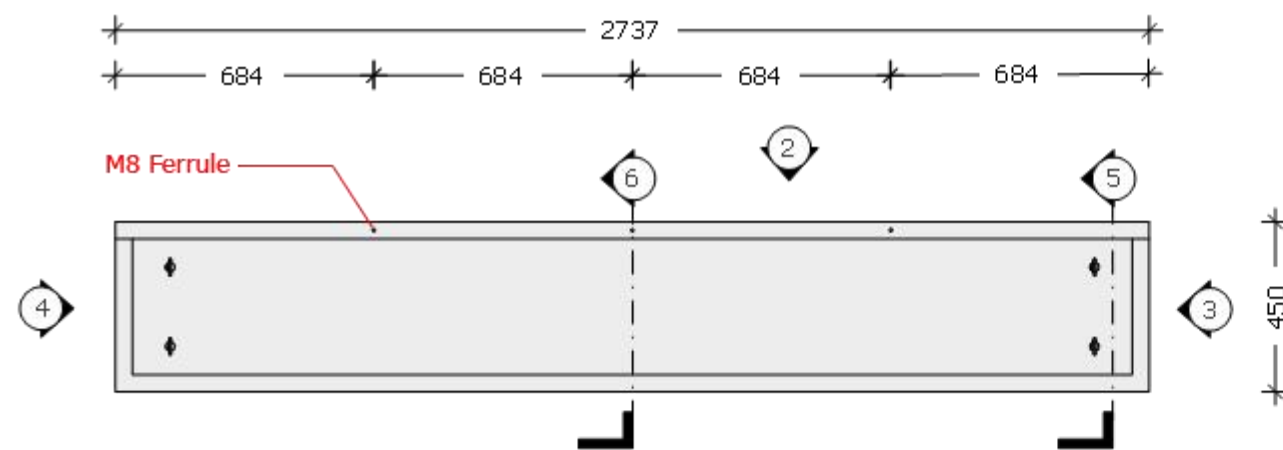
**Colour:**  
 Natural Grey  
**Internal Sealant:**  
 Bitumen Membrane  
**External Sealant:**

**Drainage Riser:**

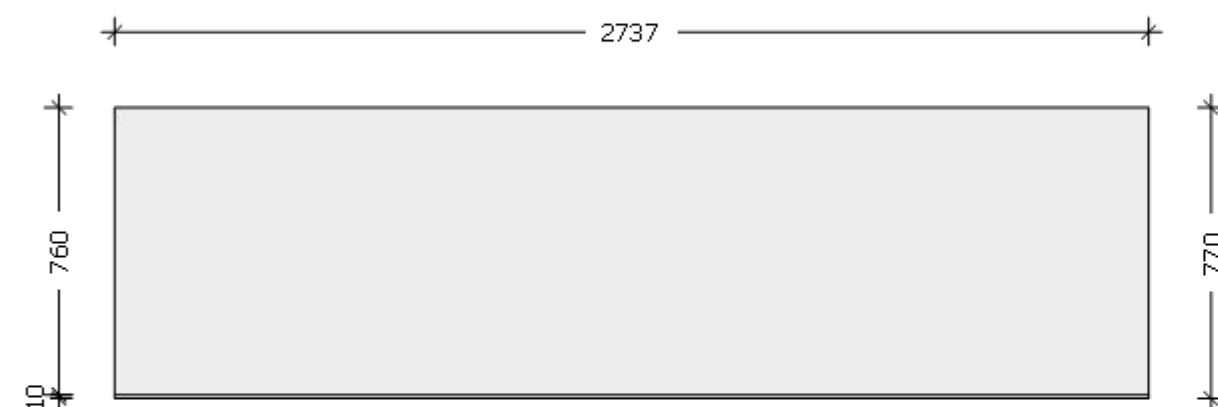
**Lifting Lugs:**  
 M12

**Additional Notes:**  
 3 pieces of M8 ferrule embedded in the lip planter

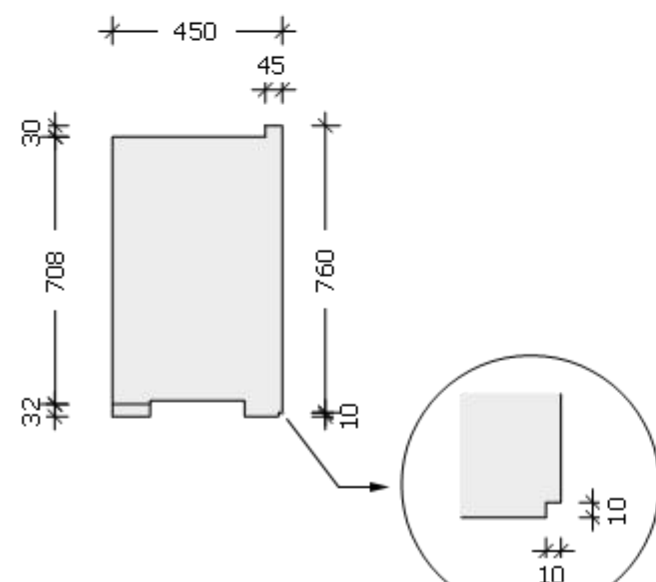
**Scale:**  
 1 : 20 @A3  
**Rev:**  
 D  
**Date:**  
 19 / 03 / 2021  
**Drawn By:**  
 Z A D  
**Approved By:**  
 B D A



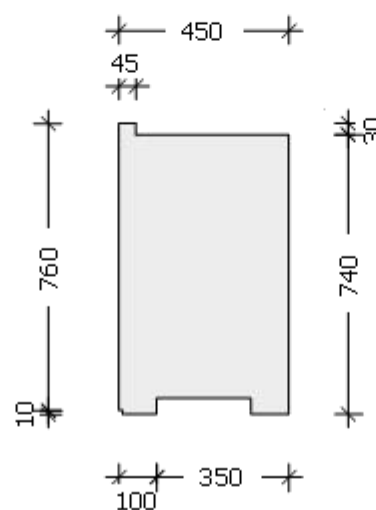
1 Plan View  
 Scale: 1 : 20



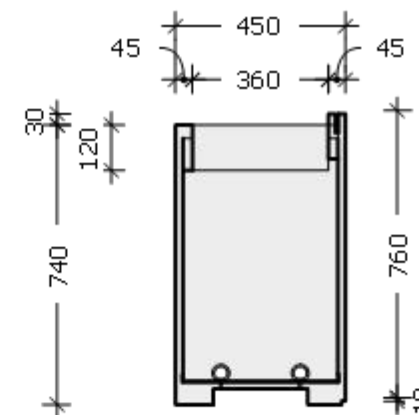
2 Back View  
 Scale: 1 : 20



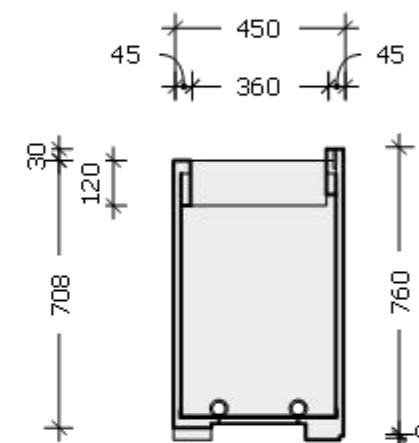
3 Side View A  
 Scale: 1 : 20



4 Side View B  
 Scale: 1 : 20



5 Section View A  
 Scale: 1 : 20



6 Section View B  
 Scale: 1 : 20



7 3D View

**Project Name:**  
12472 - 18 Cloverdale Ave, Toorak  
**Order Quantity:**  
1  
**Customer Approval:**

Sign Here

**Product Name:**  
PL-7  
**Product Code:**  
7050.0.077.171.042  
**Product Dimensions:**  
1711L x 424W x 770H  
**Weight Estimate (Kg):**  
190 Kg

**Colour:**  
Natural Grey  
**Internal Sealant:**  
Bitumen Membrane  
**External Sealant:**

**Drainage Riser:**

**Lifting Lugs:**  
M12

**Additional Notes:**

2 pieces of M8 ferrule embedded in the lip planter

**Scale:**  
1 : 20 @A3

**Rev:**

C

**Date:**

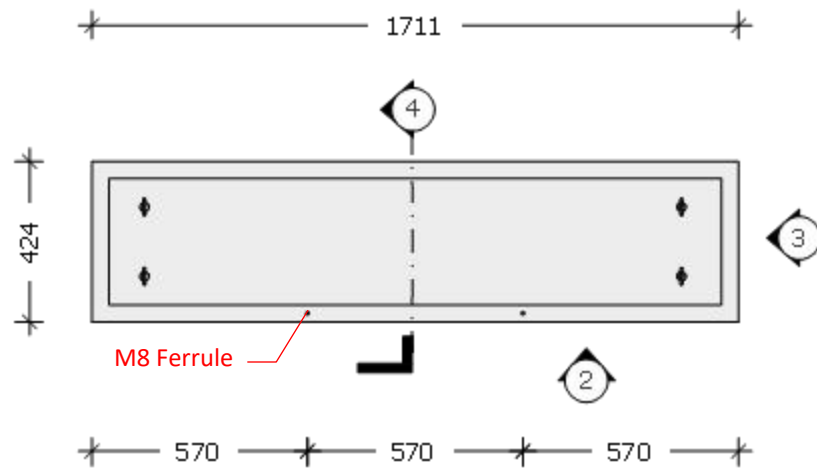
17 / 03 / 2021

**Drawn By:**

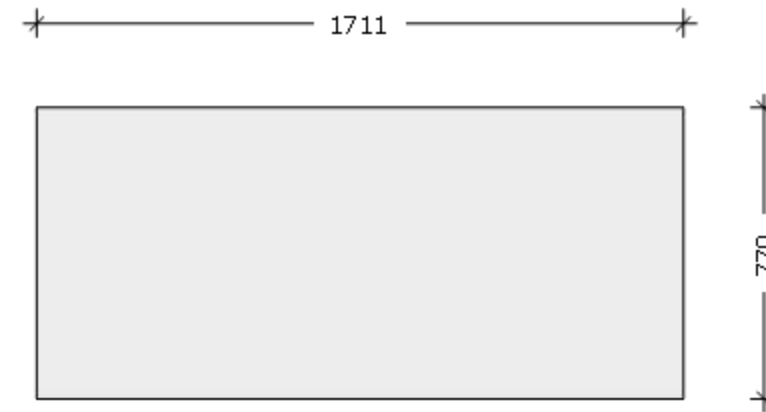
Z A D

**Approved By**

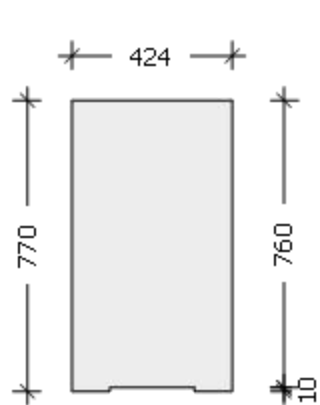
B D A



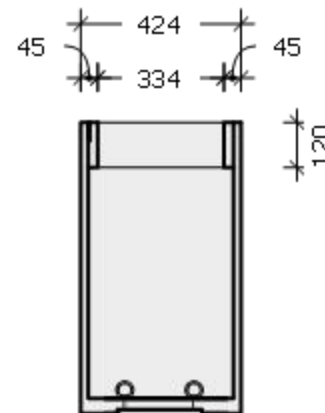
1 Zoom View  
Scale: 1 : 20



2 Front View  
Scale: 1 : 20



3 Side View  
Scale: 1 : 20



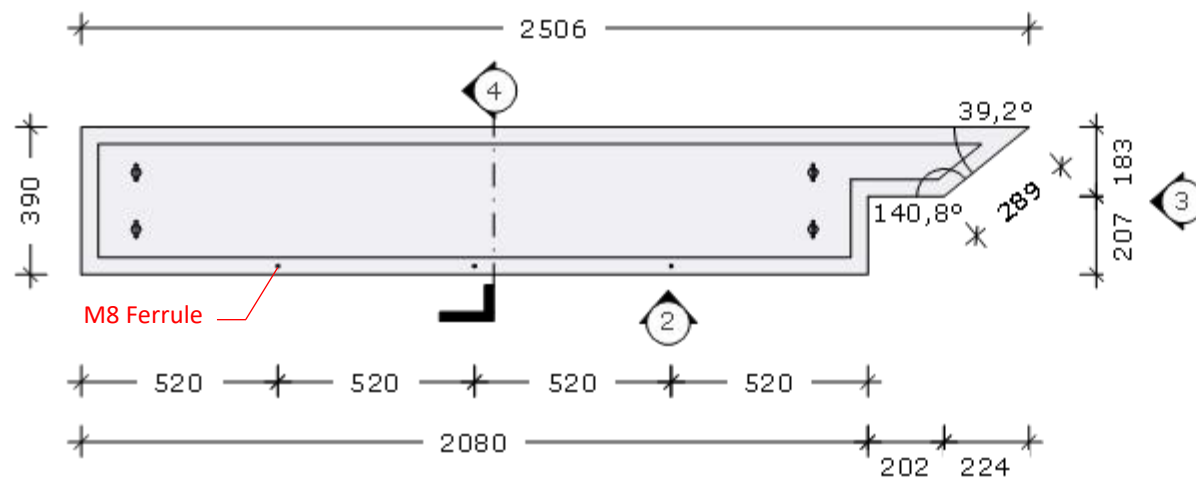
4 Section View  
Scale: 1 : 20



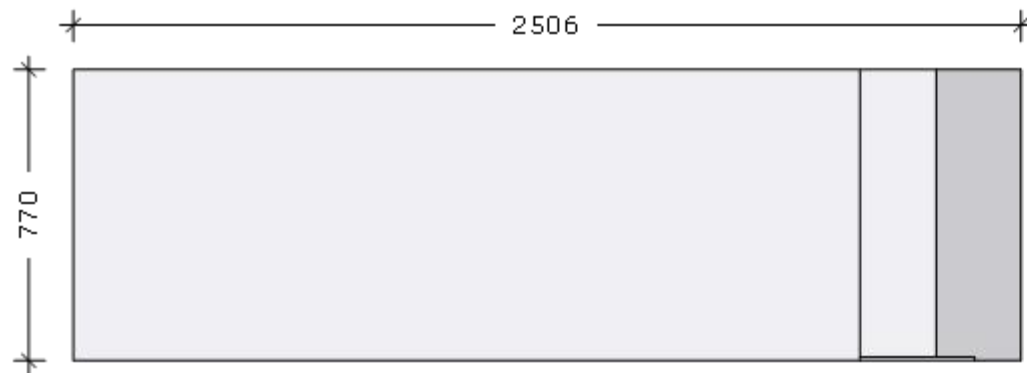
5 3D View



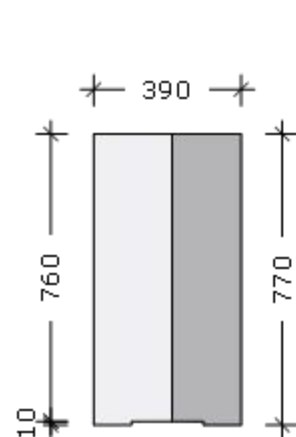




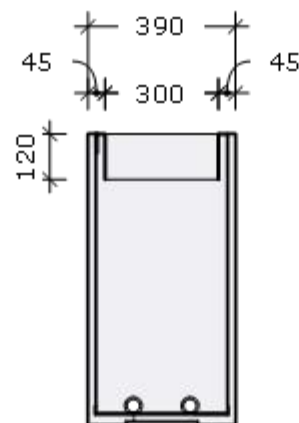
1 Plan View  
 Scale: 1:20



2 Front View  
 Scale: 1:20



3 Side View  
 Scale: 1:20



4 Section View  
 Scale: 1:20



5 3D View

**Project Name:**  
 12472 - 18 Cloverdale Ave, Toorak  
**Order Quantity:**  
 1  
**Customer Approval:**

Sign Here

**Product Name:**  
 PL-9  
**Product Code:**  
 7050.0.077.250.039  
**Product Dimensions:**  
 2506L x 390W x 770H  
**Weight Estimate (Kg):**  
 235 Kg

**Colour:**  
 Natural Grey  
**Internal Sealant:**  
 Bitumen Membrane  
**External Sealant:**

**Drainage Riser:**

**Lifting Lugs:**  
 M12

**Additional Notes:**  
 3 pieces of M8 ferrule embedded in the lip planter

**Scale:**  
 1 : 20 @A3  
**Rev:**  
 C  
**Date:**  
 16 / 03 / 2021  
**Drawn By:**  
 D P A  
**Approved By:**  
 B D A

**Project Name:**  
12472 - 18 Cloverdale Ave, Toorak  
**Order Quantity:**  
1  
**Customer Approval:**

Sign Here

**Product Name:**  
PL-10  
**Product Code:**  
7050.0.077.250.039  
**Product Dimensions:**  
2506L x 390W x 770H  
**Weight Estimate (Kg):**  
250 Kg

**Colour:**  
Natural Grey  
**Internal Sealant:**  
Bitumen Membrane  
**External Sealant:**

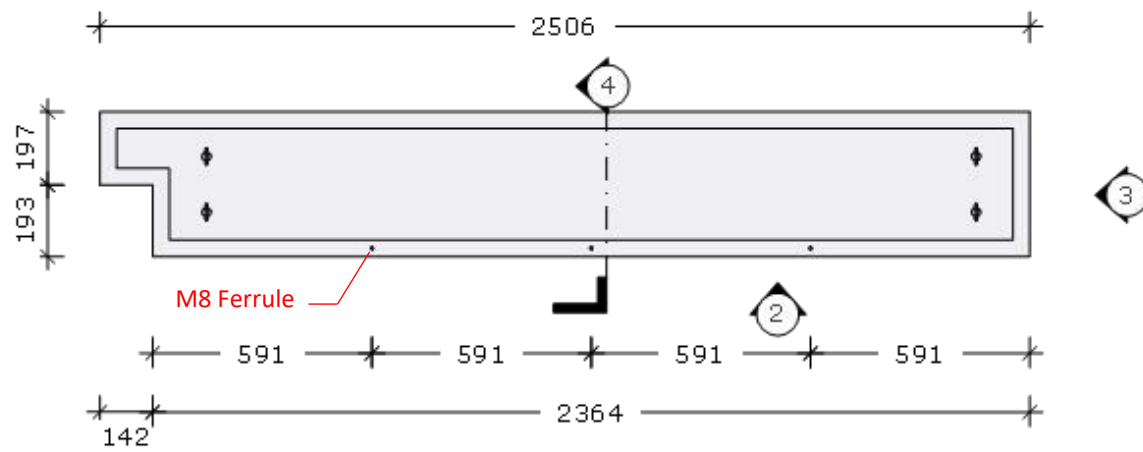
**Drainage Riser:**

**Lifting Lugs:**  
M12

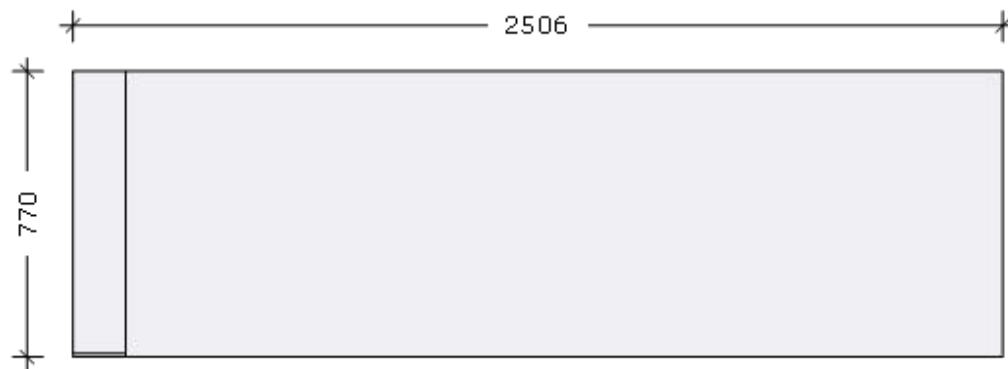
**Additional Notes:**  
3 pieces of M8 ferrule embedded in the lip planter

**Scale:**  
1 : 20 @A3  
**Rev:**  
C  
**Date:**  
16 / 03 / 2021  
**Drawn By:**  
D P A  
**Approved By:**  
B D A

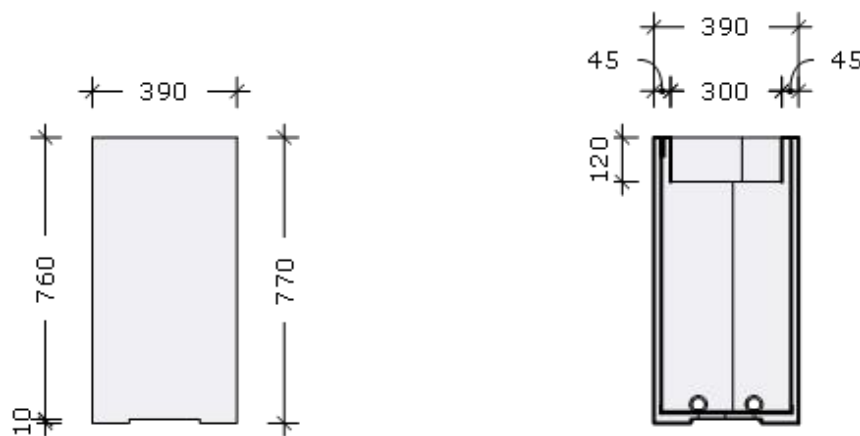
This drawing remains the copyright of Satu Bumi (Australia) Pty Ltd



1 Plan View  
Scale: 1 : 20



2 Front View  
Scale: 1 : 20



3 Side View  
Scale: 1 : 20

4 Section View  
Scale: 1 : 20



5 3D View

**Project Name:**  
 12472 - 18 Cloverdale Ave, Toorak  
**Order Quantity:**  
 1  
**Customer Approval:**

Sign Here \_\_\_\_\_

**Product Name:**  
 PL-11  
**Product Code:**  
 7050.0.077.144.039  
**Product Dimensions:**  
 1445L x 390W x 770H  
**Weight Estimate (Kg):**  
 150 Kg

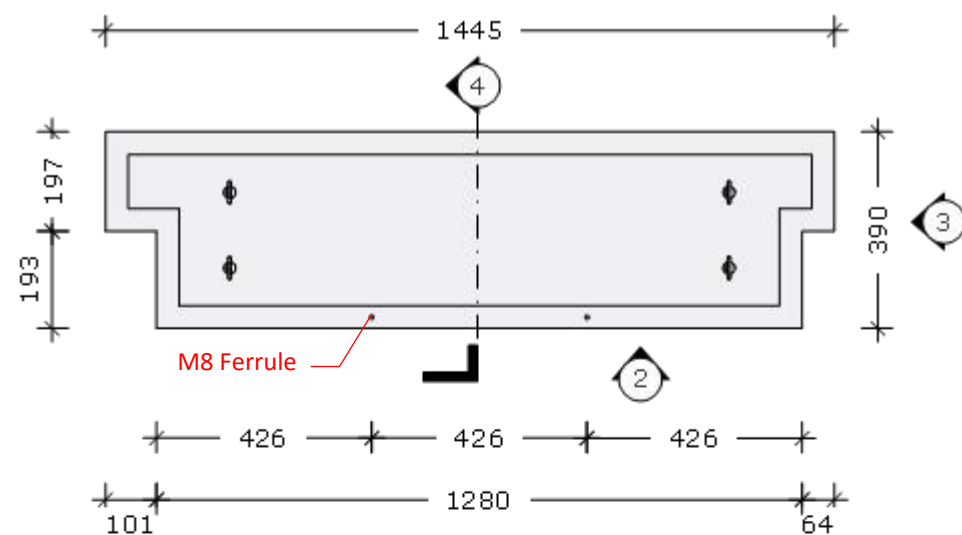
**Colour:**  
 Natural Grey  
**Internal Sealant:**  
 Bitumen Membrane  
**External Sealant:**

**Drainage Riser:**

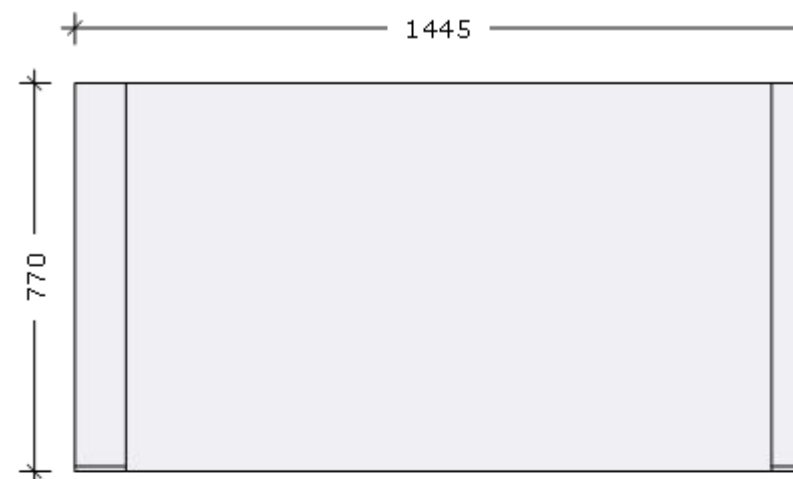
**Lifting Lugs:**  
 M12

**Additional Notes:**  
 2 pieces of M8 ferrule embedded in the lip planter

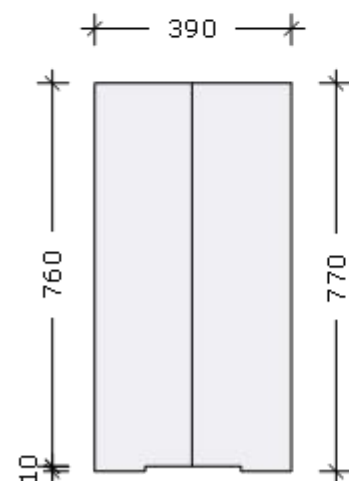
**Scale:**  
 1 : 15 @A3  
**Rev:**  
 C  
**Date:**  
 17 / 03 / 2021  
**Drawn By:**  
 D P A  
**Approved By:**  
 B D A



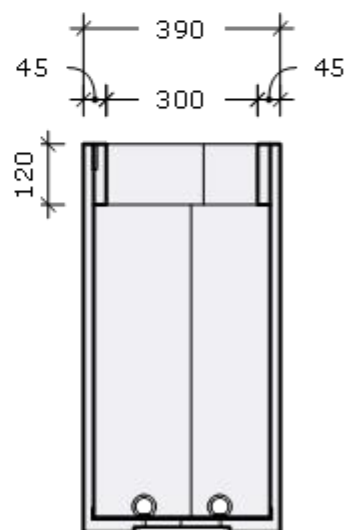
1 Plan View  
 - Scale: 1 : 15



2 Front View  
 - Scale: 1 : 15



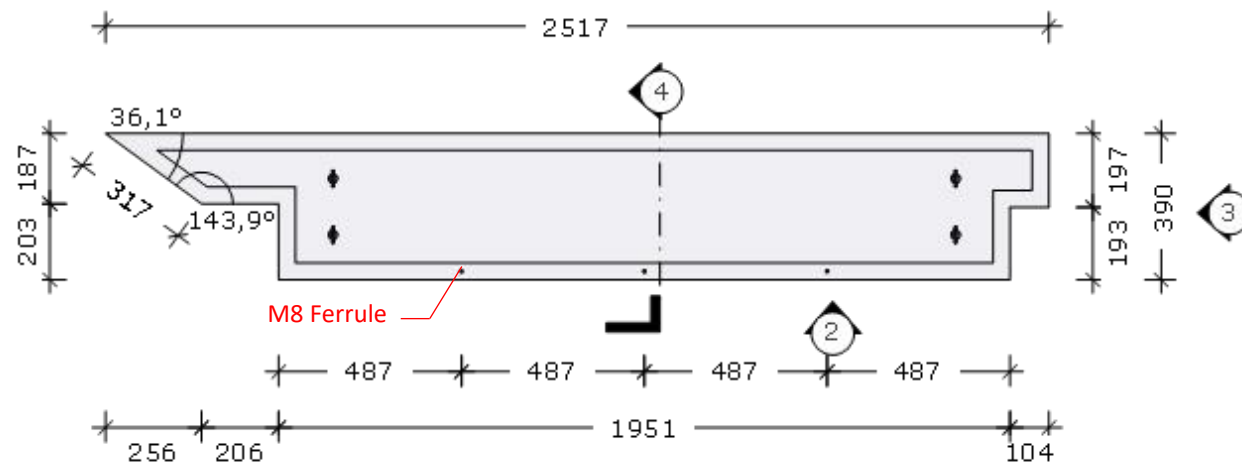
3 Side View  
 - Scale: 1 : 15



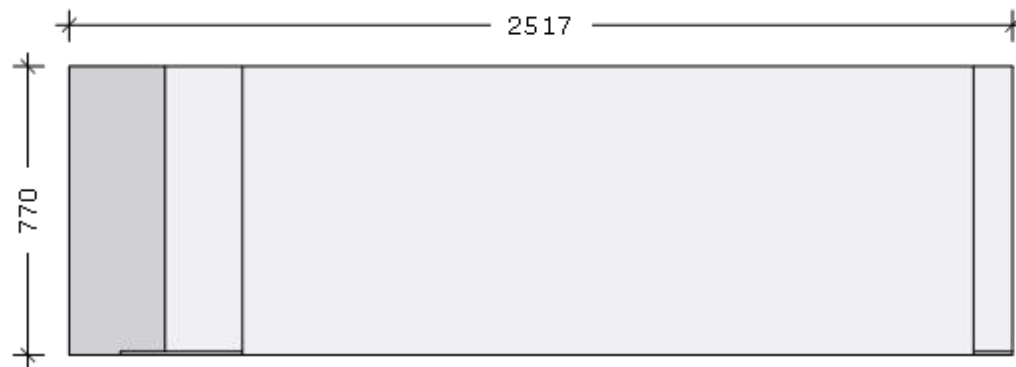
4 Section View  
 - Scale: 1 : 15



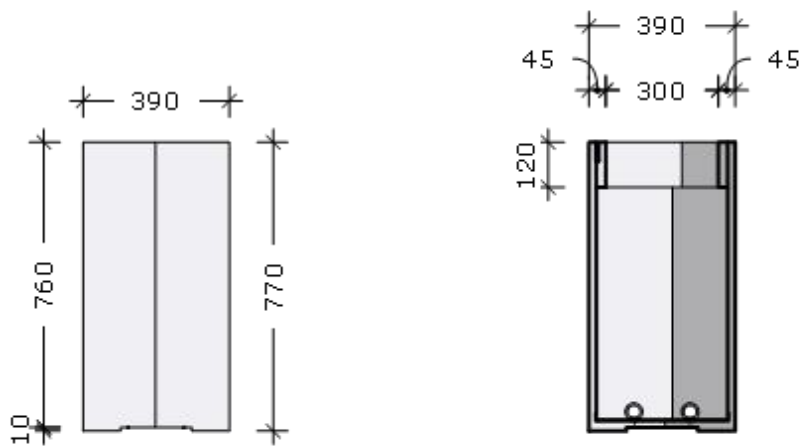
5 3D View  
 -



1 Plan View  
Scale: 1:20



2 Front View  
Scale: 1:20



3 Side View  
Scale: 1:20

4 Section View  
Scale: 1:20



5 3D View

**Project Name:**  
12472 - 18 Cloverdale Ave, Toorak  
**Order Quantity:**  
1  
**Customer Approval:**

Sign Here

**Product Name:**  
PL-12  
**Product Code:**  
7050.0.077.251.039  
**Product Dimensions:**  
2517L x 390W x 770H  
**Weight Estimate (Kg):**  
230 Kg

**Colour:**  
Natural Grey  
**Internal Sealant:**  
Bitumen Membrane  
**External Sealant:**

**Drainage Riser:**

**Lifting Lugs:**  
M12

**Additional Notes:**  
3 pieces of M8 ferrule embedded in the lip planter

**Scale:**  
1 : 20 @A3  
**Rev:**  
C  
**Date:**  
17 / 03 / 2021  
**Drawn By:**  
D P A  
**Approved By:**  
B D A

**Project Name:**  
 12472 - 18 Cloverdale Ave, Toorak  
**Order Quantity:**  
 1  
**Customer Approval:**

Sign Here

**Product Name:**  
 PL-13  
**Product Code:**  
 7050.0.077.171.046  
**Product Dimensions:**  
 1711L x 462W x 770H  
**Weight Estimate (Kg):**  
 175 Kg

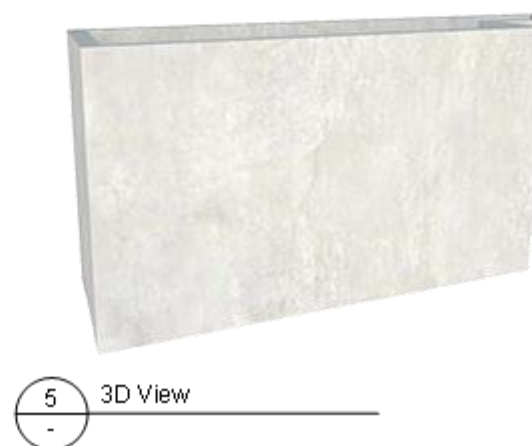
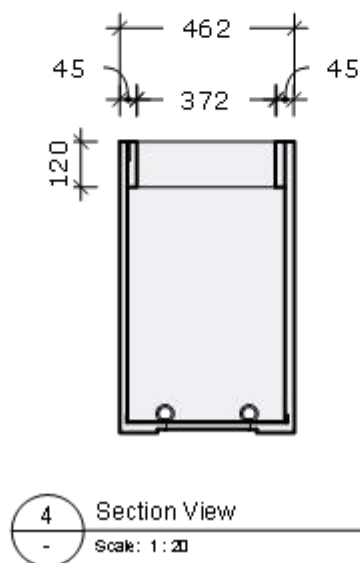
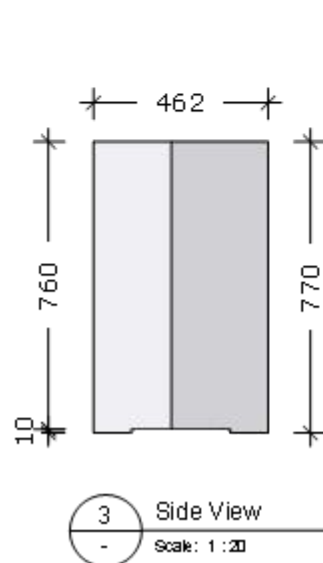
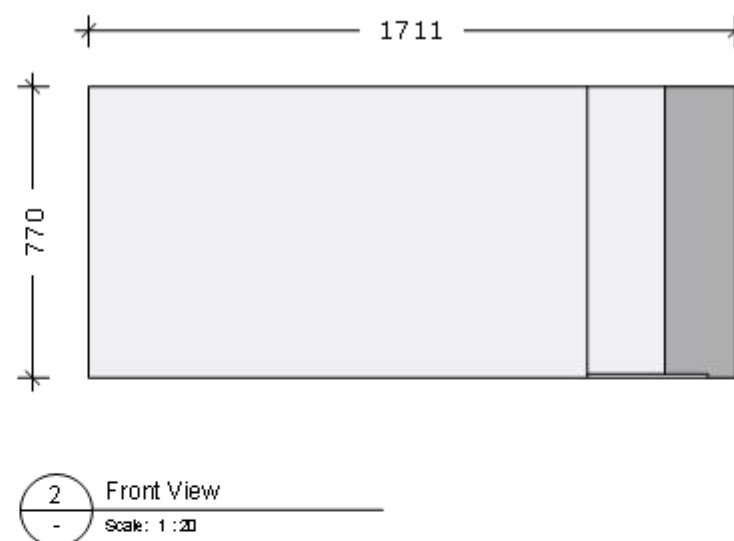
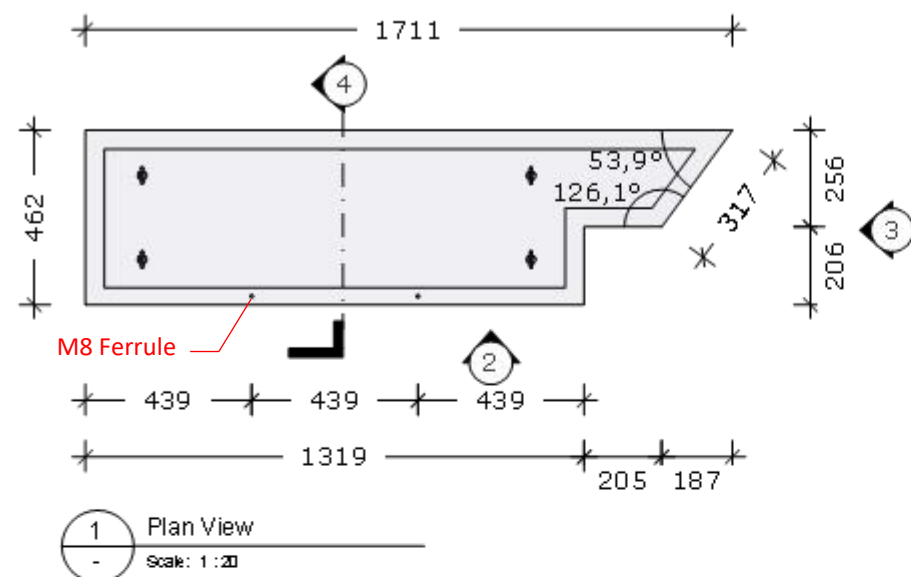
**Colour:**  
 Natural Grey  
**Internal Sealant:**  
 Bitumen Membrane  
**External Sealant:**

**Drainage Riser:**

**Lifting Lugs:**  
 M12

**Additional Notes:**  
 2 pieces of M8 ferrule embedded in the lip planter

**Scale:**  
 1 : 20 @A3  
**Rev:**  
 C  
**Date:**  
 16 / 03 / 2021  
**Drawn By:**  
 D P A  
**Approved By:**  
 B D A



**Project Name:**  
12472 - 18 Cloverdale Ave, Toorak  
**Order Quantity:**  
1  
**Customer Approval:**

Sign Here

**Product Name:**  
PL-14  
**Product Code:**  
7050.0.077.171.046  
**Product Dimensions:**  
1711L x 462W x 770H  
**Weight Estimate (Kg):**  
195 Kg

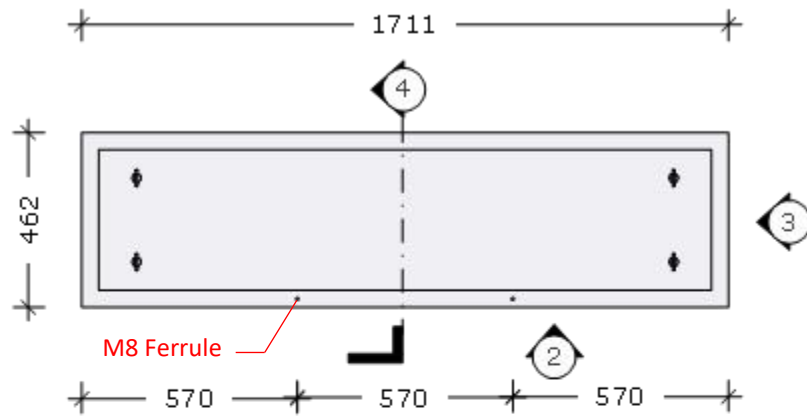
**Colour:**  
Natural Grey  
**Internal Sealant:**  
Bitumen Membrane  
**External Sealant:**

**Drainage Riser:**

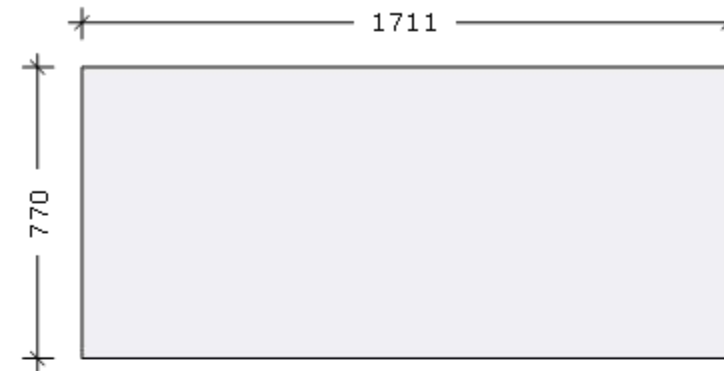
**Lifting Lugs:**  
M12

**Additional Notes:**  
2 pieces of M8 ferrule embedded in the lip planter

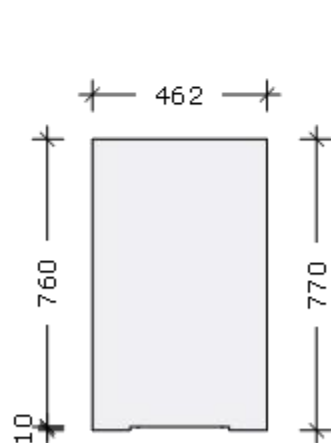
**Scale:**  
1 : 20 @A3  
**Rev:**  
C  
**Date:**  
16 / 03 / 2021  
**Drawn By:**  
D P A  
**Approved By:**  
B D A



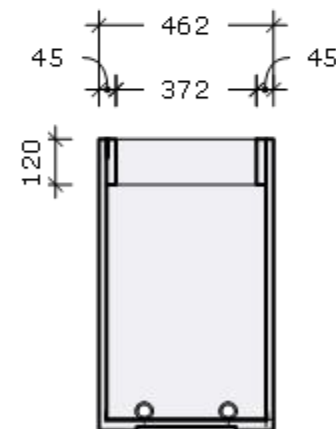
1 Plan View  
- Scale: 1:20



2 Front View  
- Scale: 1:20



3 Side View  
- Scale: 1:20



4 Section View  
- Scale: 1:20



5 3D View  
- Scale: 1:20