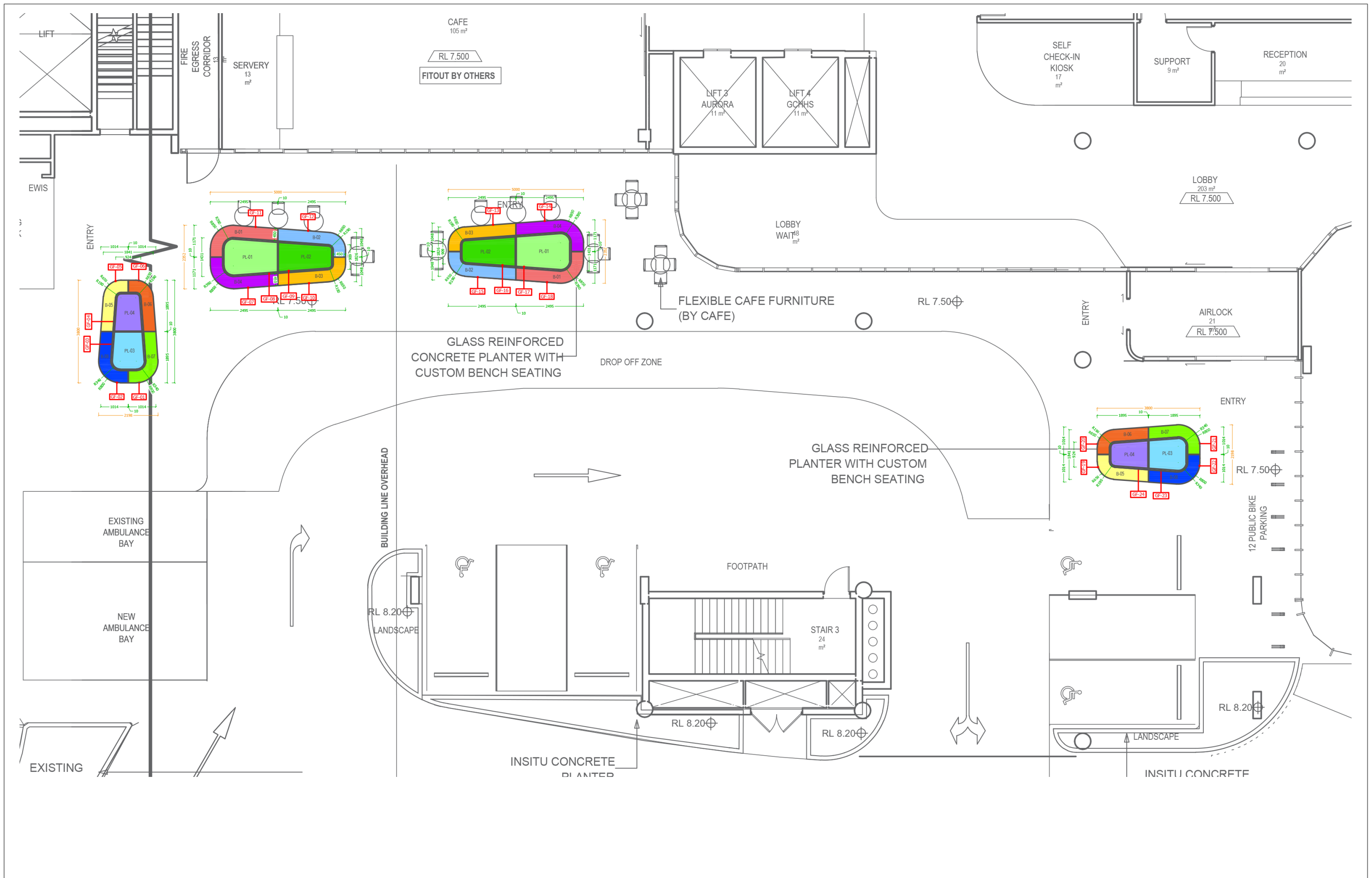


Satu Bumi

Advanced Concrete Technology

Street Furniture Example 1



CAFE
105 m²
 RL 7.500
 FITOUT BY OTHERS

SELF CHECK-IN KIOSK 17 m²
 SUPPORT 9 m²
 RECEPTION 20 m²

LOBBY
203 m²
 RL 7.500

LIFT 3 AURORA 11 m²
 LIFT 4 GCHHS 11 m²

LOBBY WAIT 8 m²

FLEXIBLE CAFE FURNITURE (BY CAFE)
 RL 7.500

AIRLOCK 21
 RL 7.500

GLASS REINFORCED PLANTER WITH CUSTOM BENCH SEATING

RL 7.500

FOOTPATH

STAIR 3 24 m²

RL 8.200

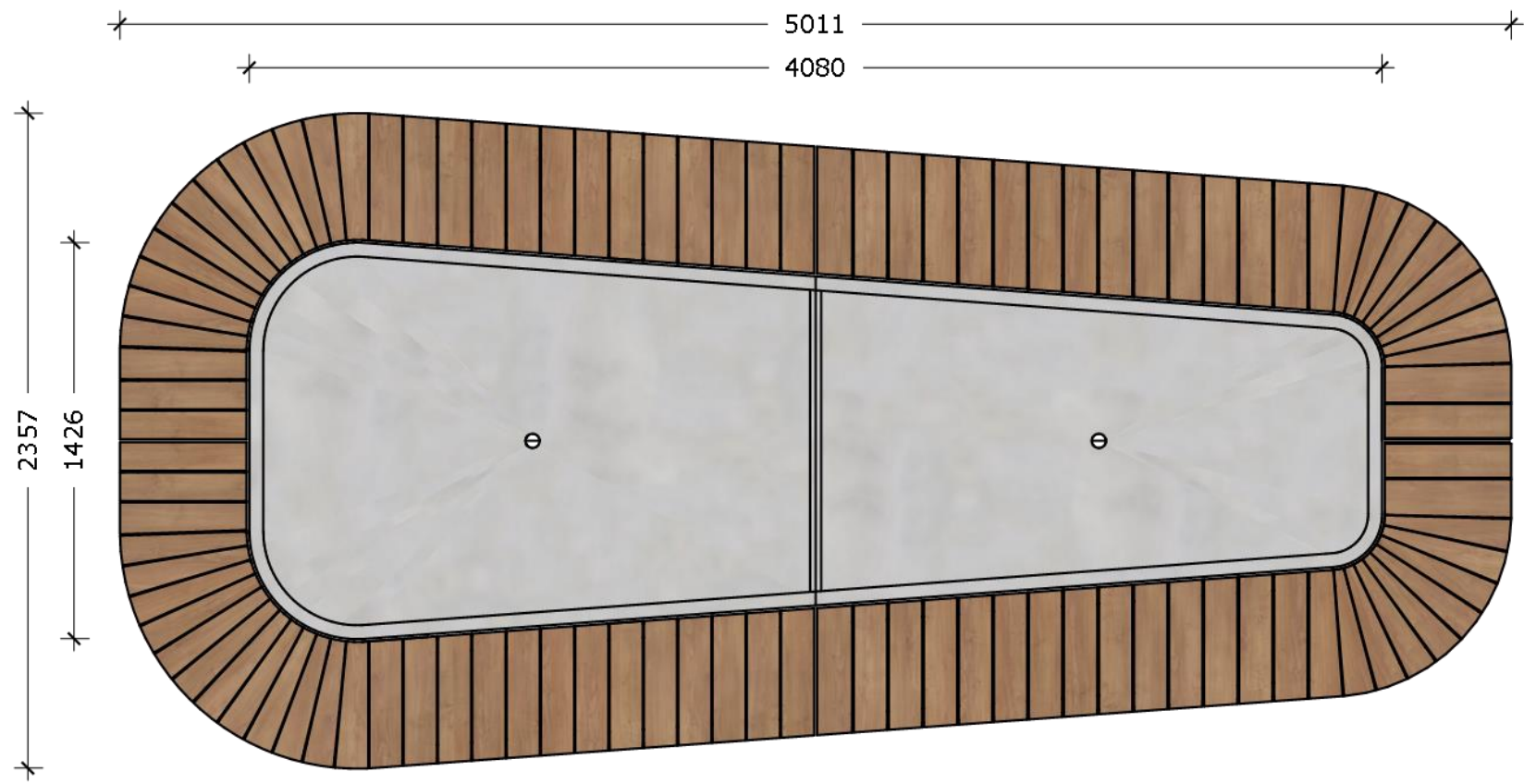
RL 8.200

INSITU CONCRETE PLANTER

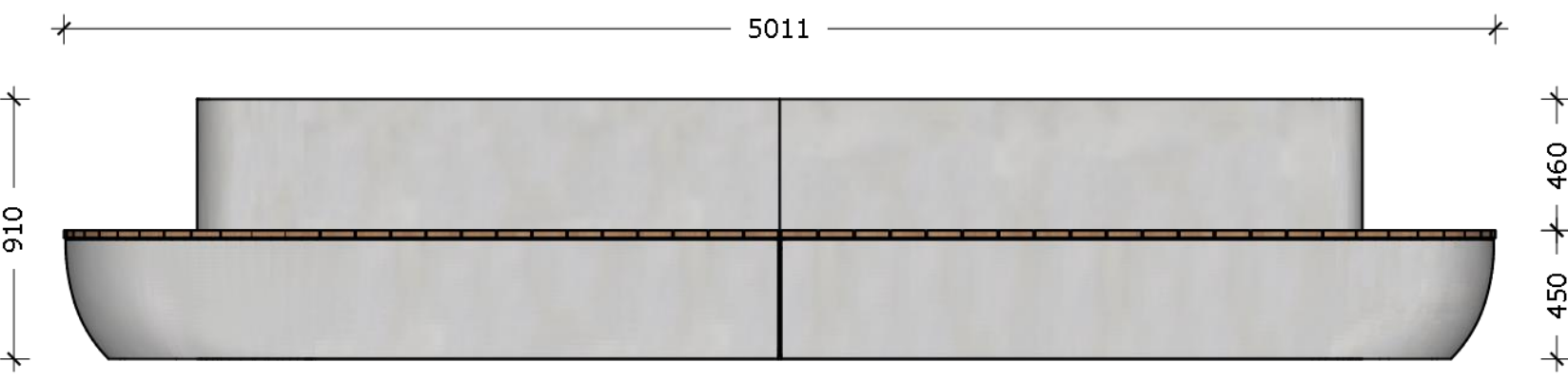
INSITU CONCRETE

RL 8.200





○ Plan View PL-01, PL-02, B-01, B-02

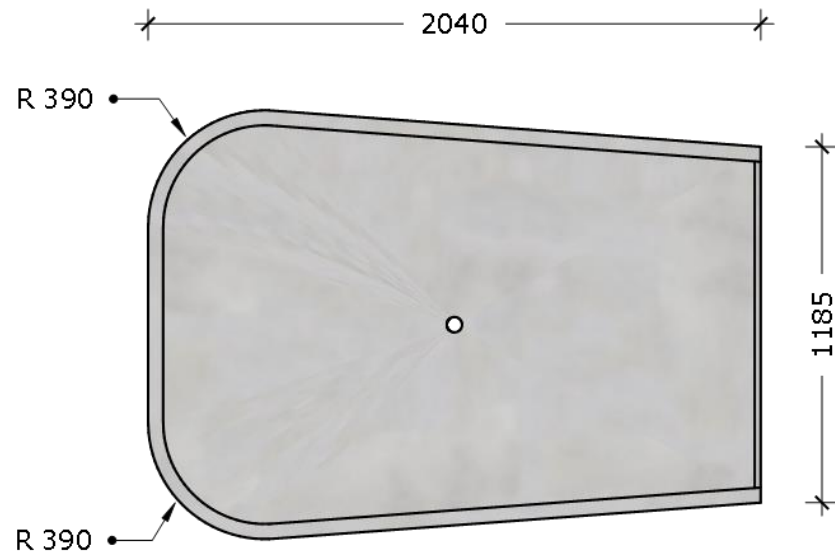


○ Front View PL-01, PL-02, B-01, B-02

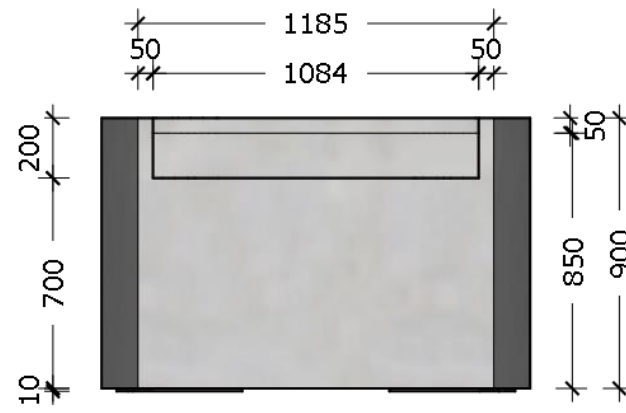


○ 3D View

PL-01



○ Plan View

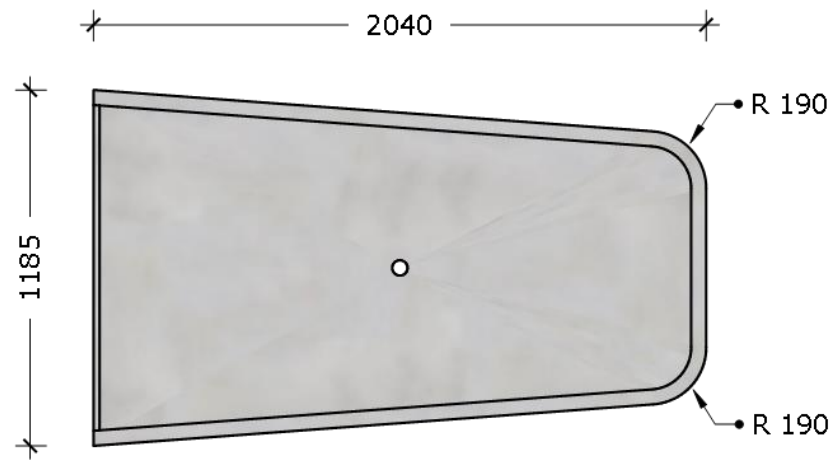


○ Side View

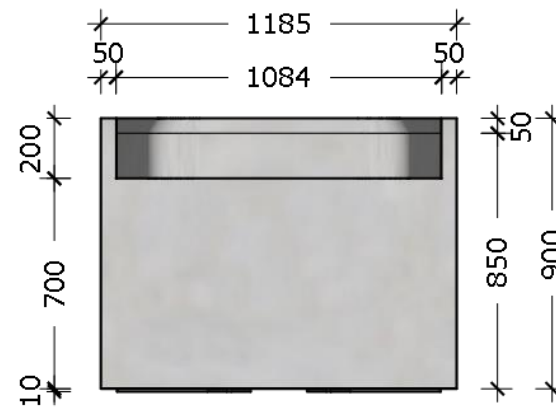


○ 3D View

PL-02



○ Plan View

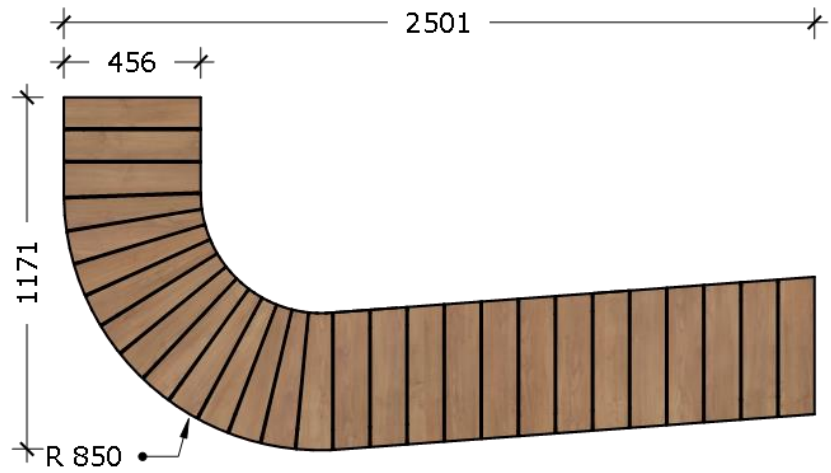


○ Side View

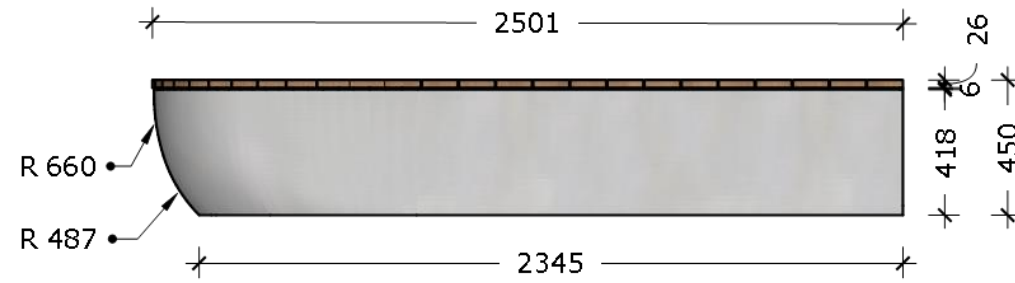


○ 3D View

B-01



○ Plan View

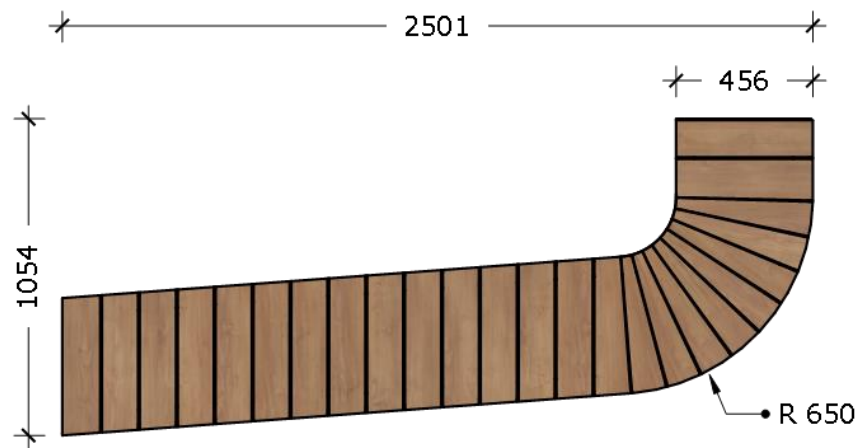


○ Front View

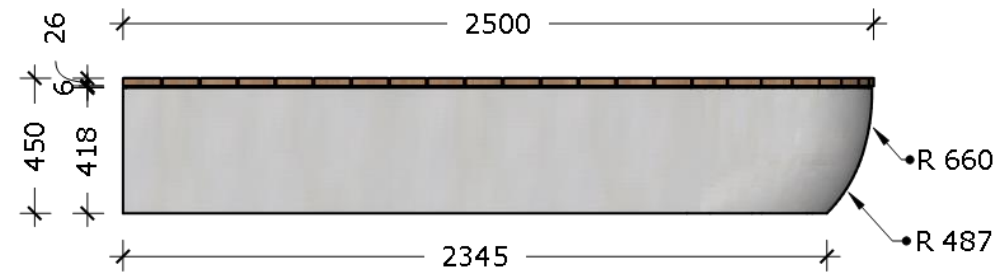


○ 3D View

B-02



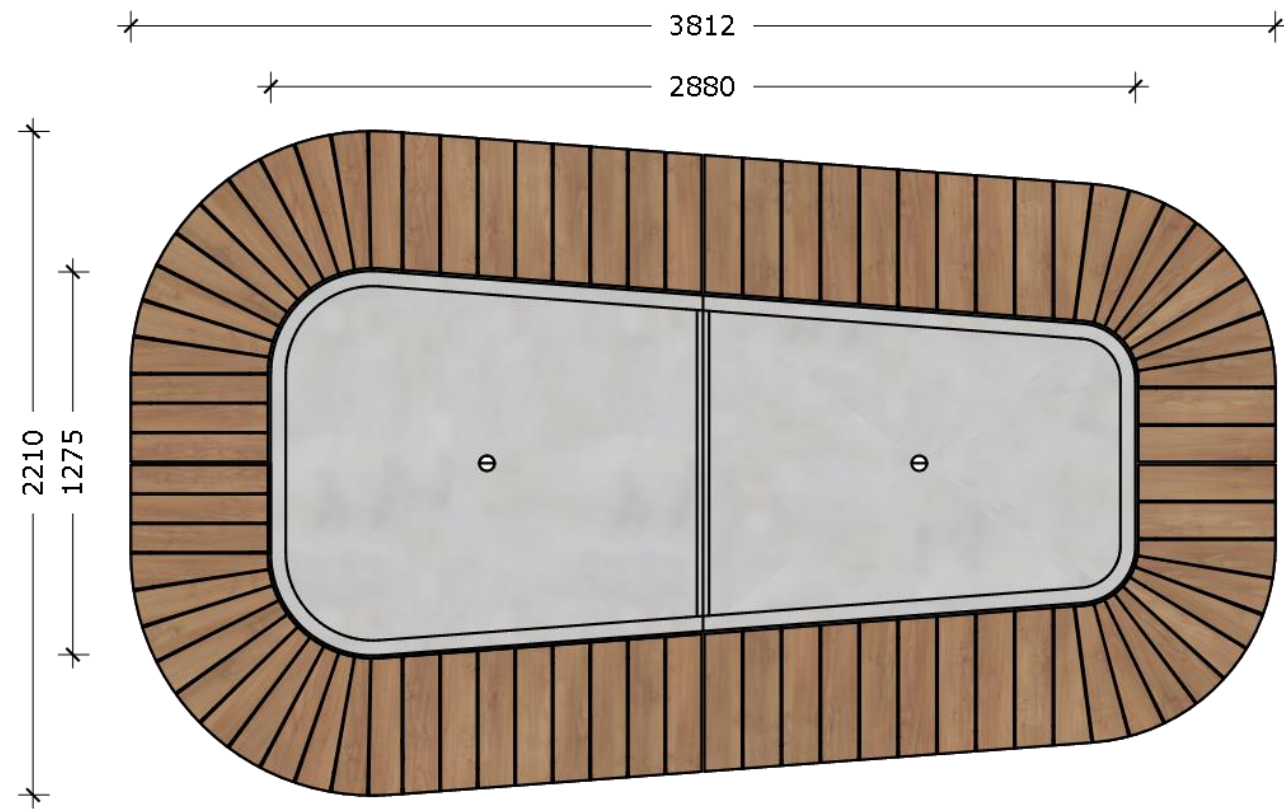
○ Plan View



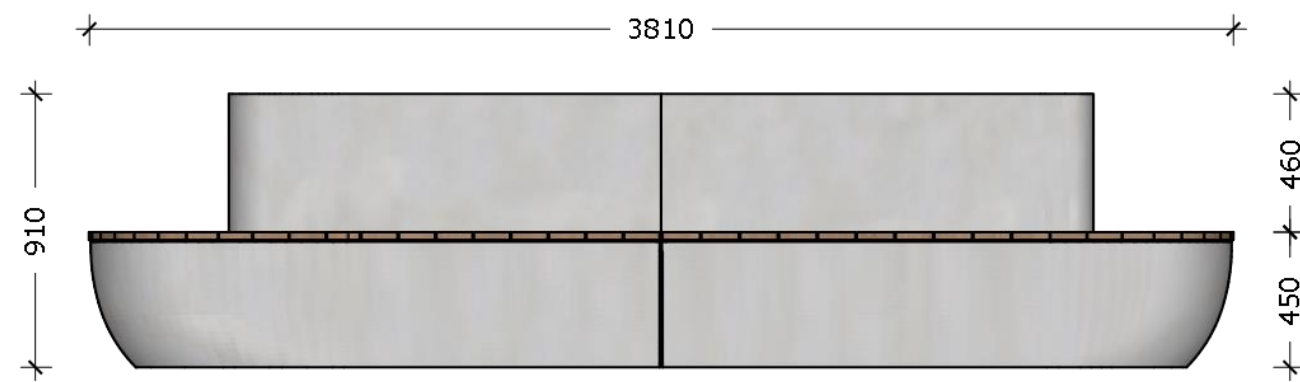
○ Front View



○ 3D View



○ Plan View PL-03, PL-04, B-05, B-06

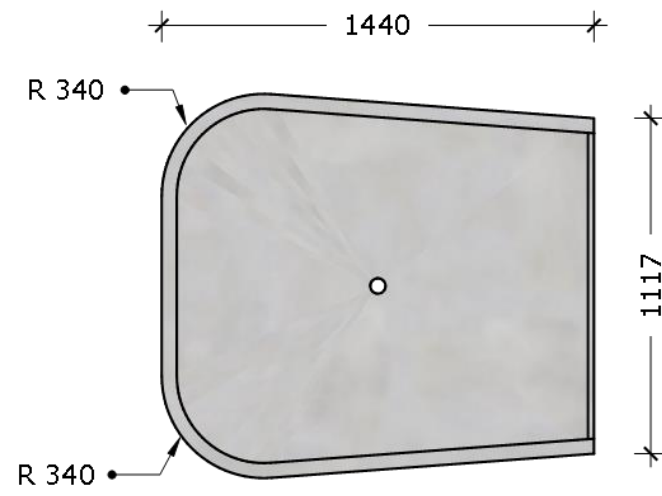


○ Front View PL-03, PL-04, B-05, B-06

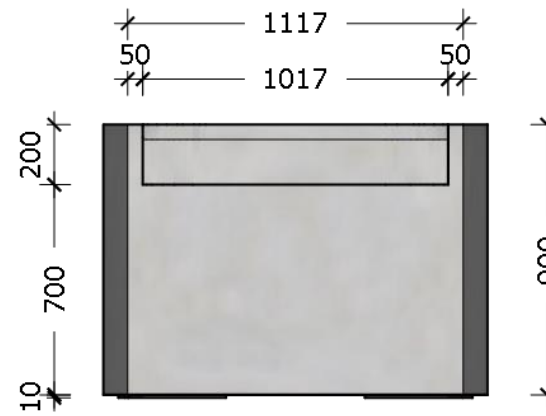


○ 3D View

PL-03



○ Plan View

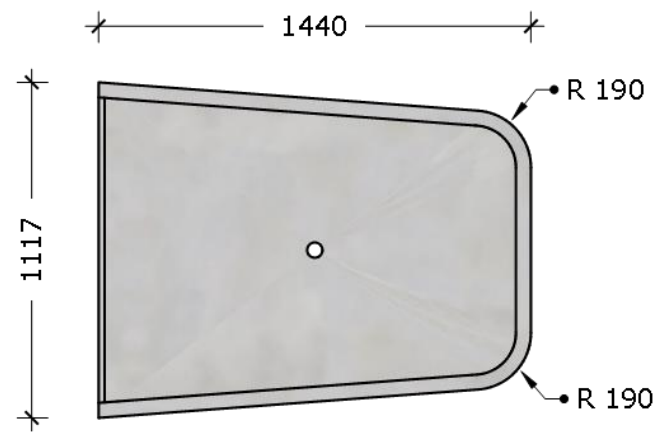


○ Side View

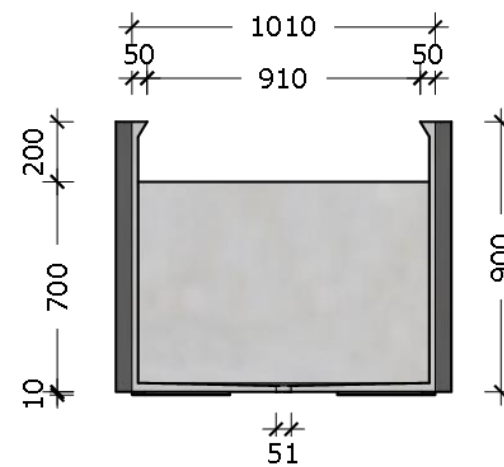


○ 3D View

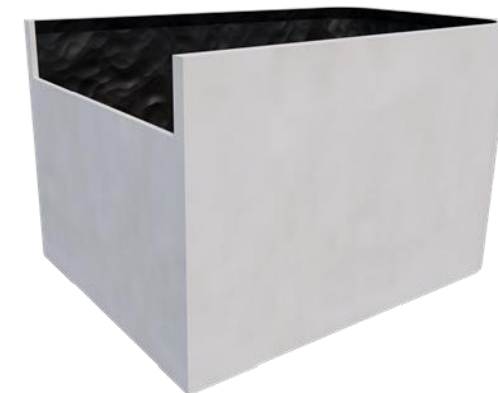
PL-04



○ Plan View

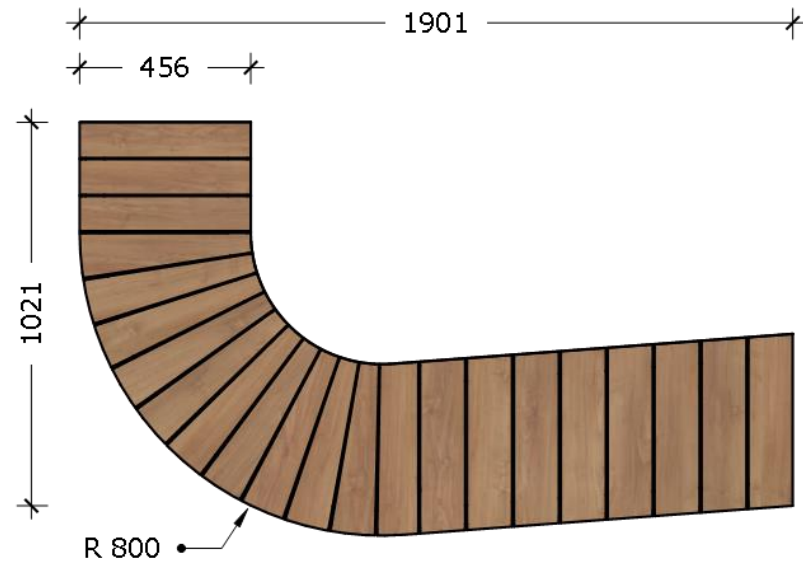


○ Section View

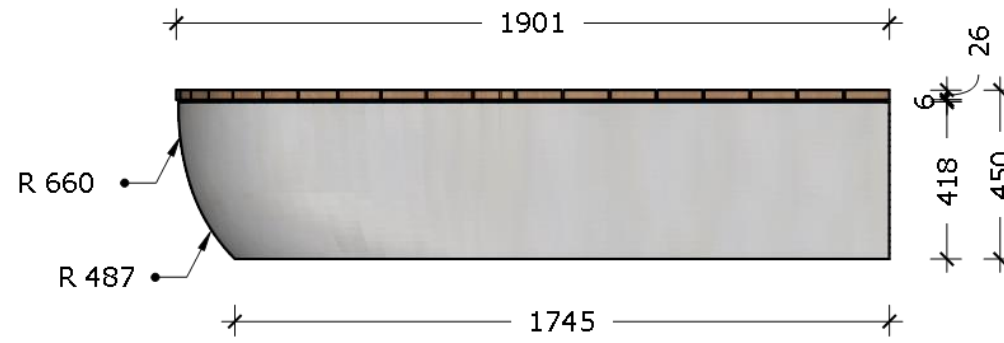


○ 3D View

B-05



○ Plan View

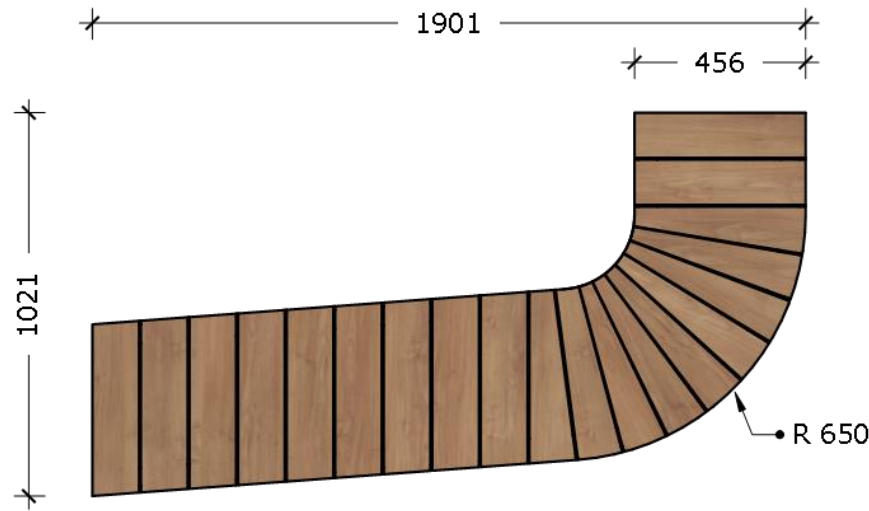


○ Front View

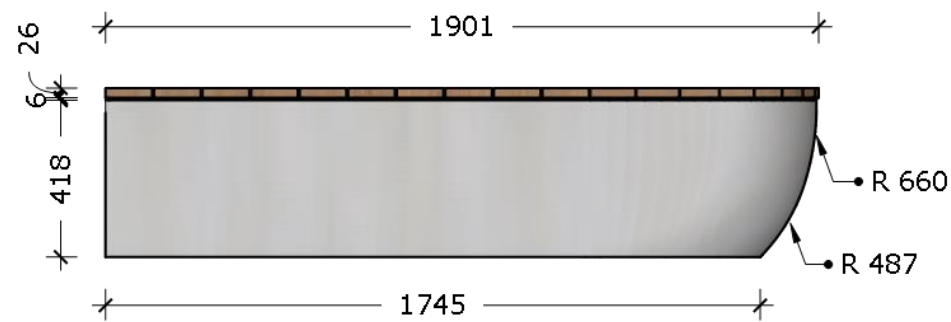


○ 3D View

B-06



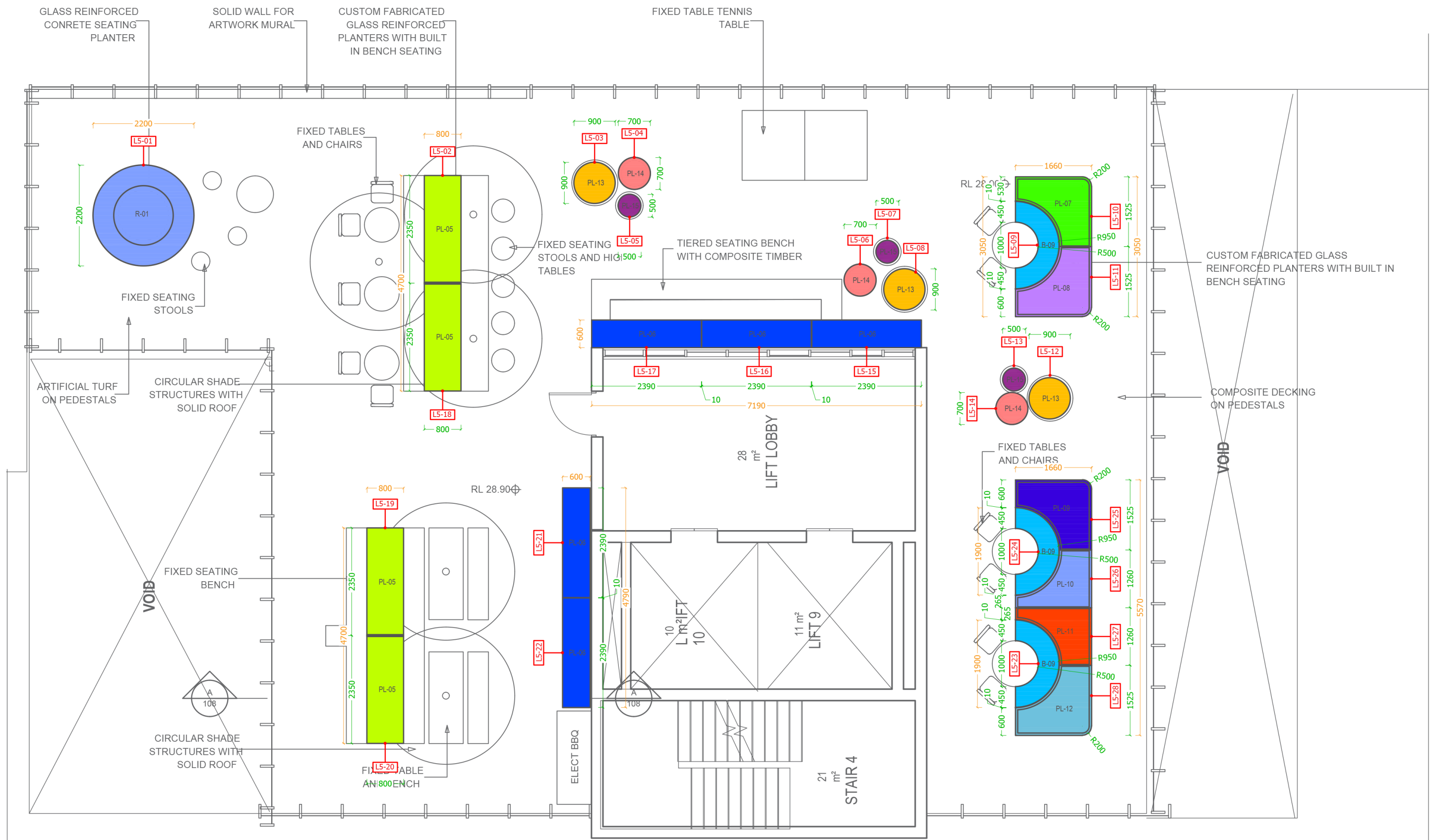
○ Plan View



○ Front View



○ 3D View





View A

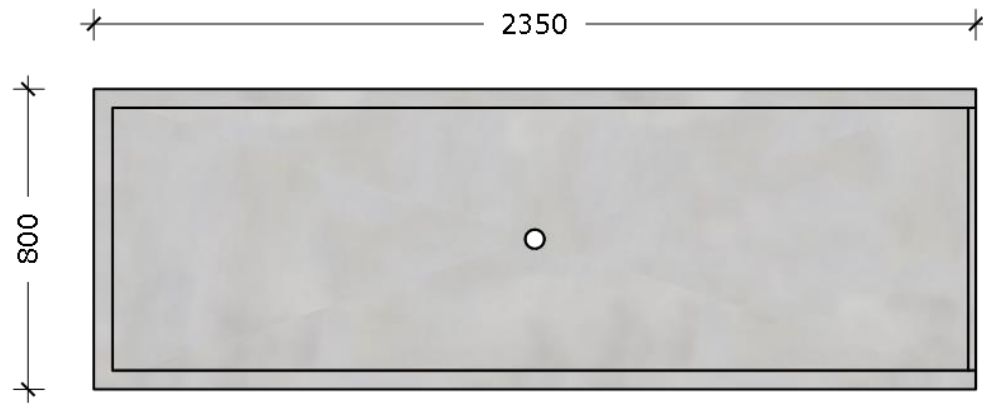


View B

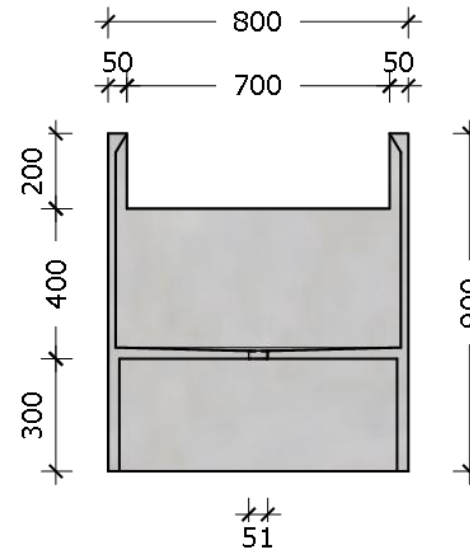


View C

PL-05



○ Plan View

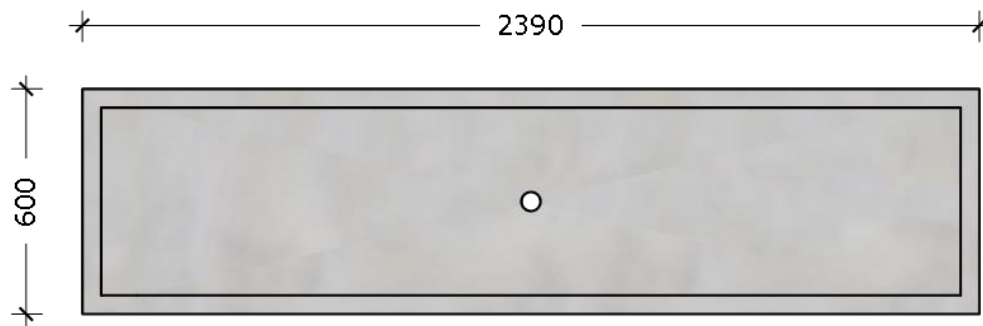


○ Section View

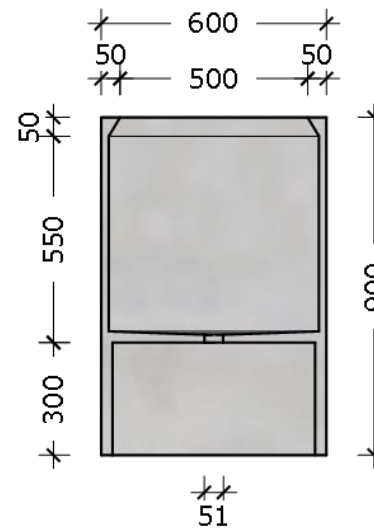


○ 3D View

PL-06



○ Plan View

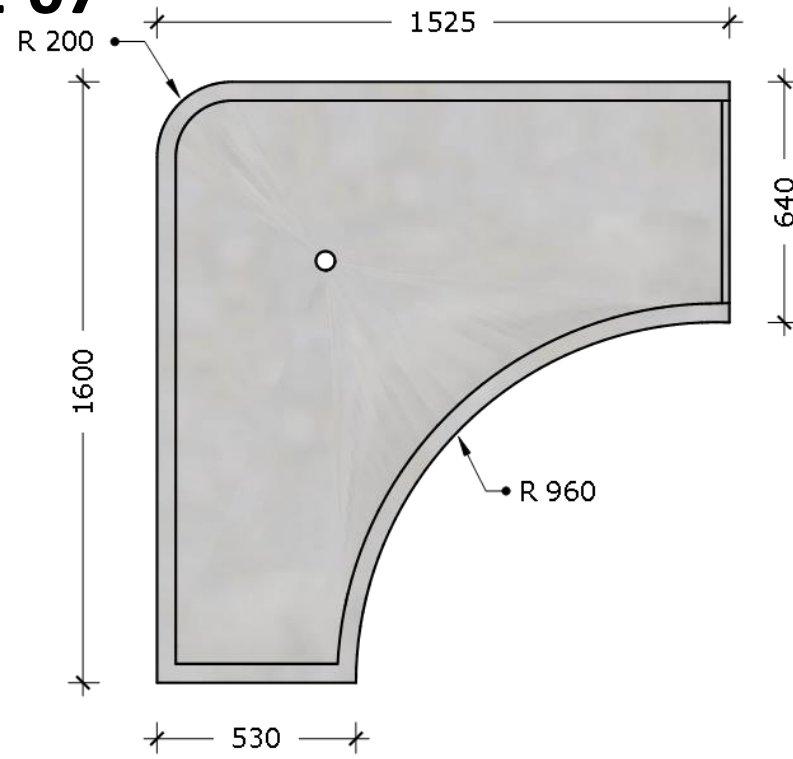


○ Section View

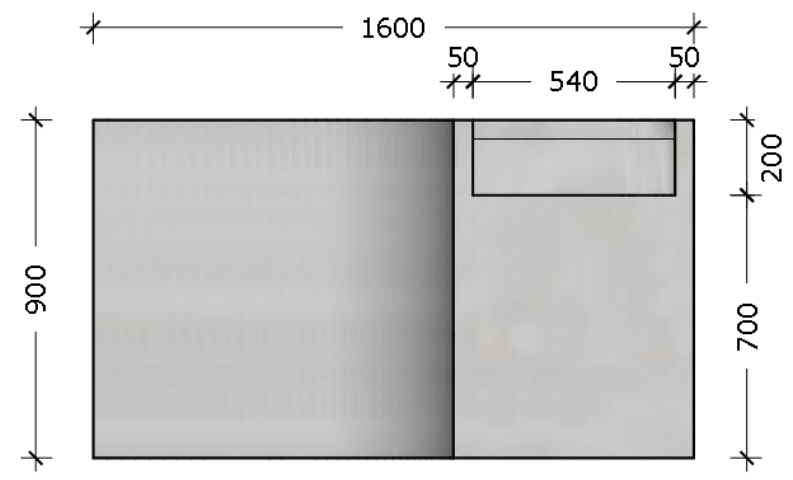


○ 3D View

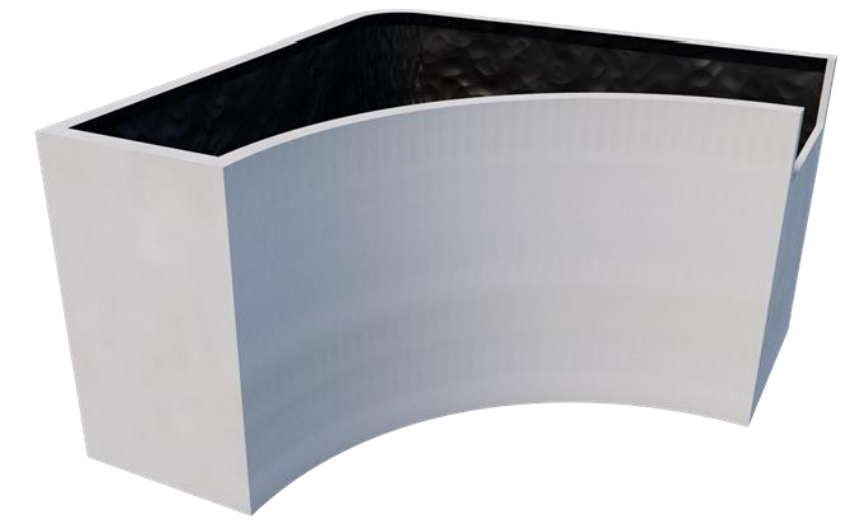
PL-07



Plan View

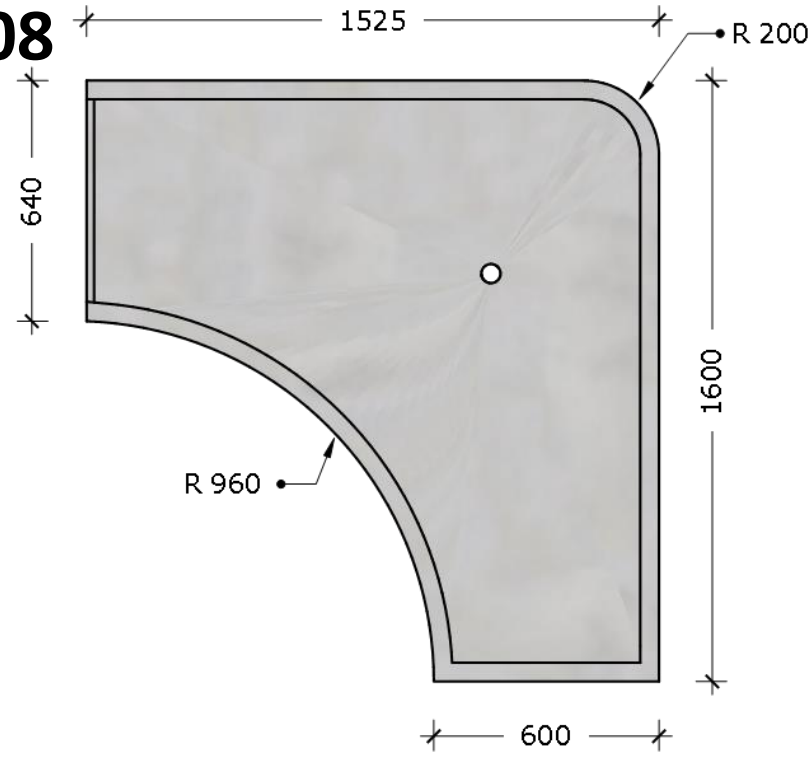


Section View

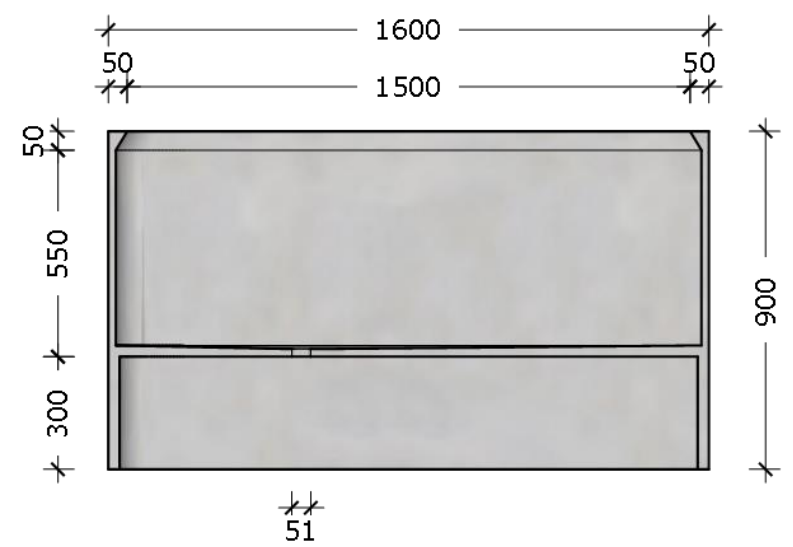


3D View

PL-08



Plan View

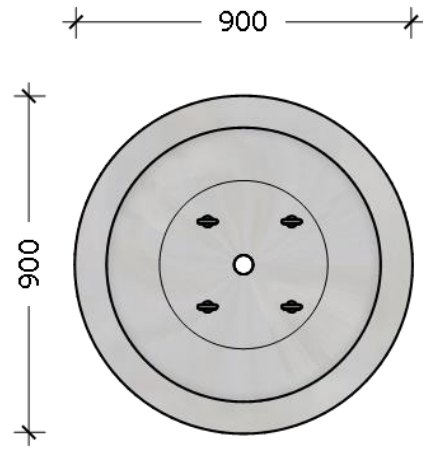


Section View

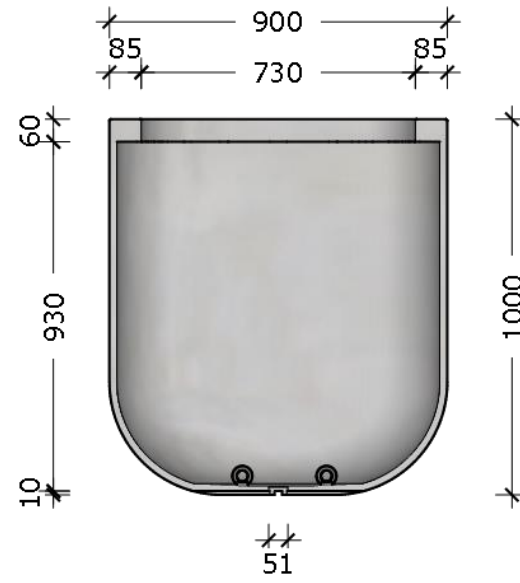


3D View

PL-13



Plan View

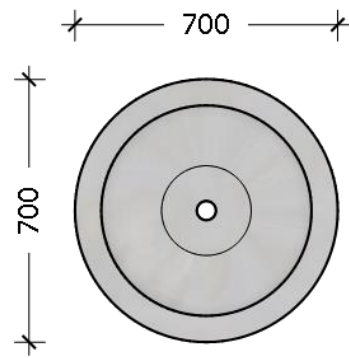


Section View

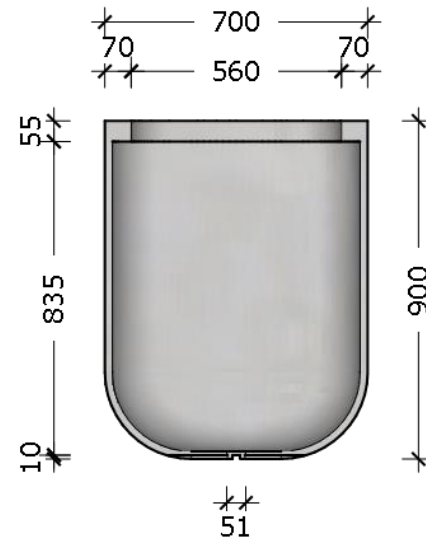


3D View

PL-14



Plan View

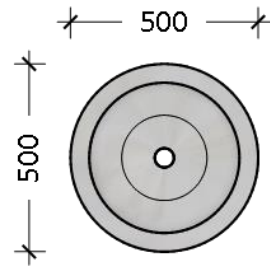


Section View

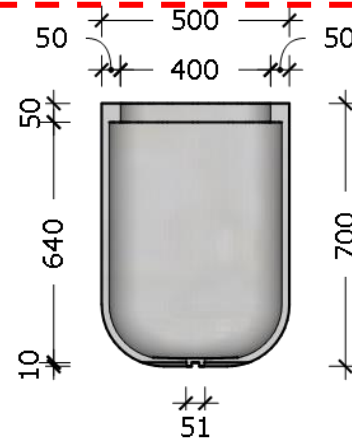


3D View

PL-15



Plan View

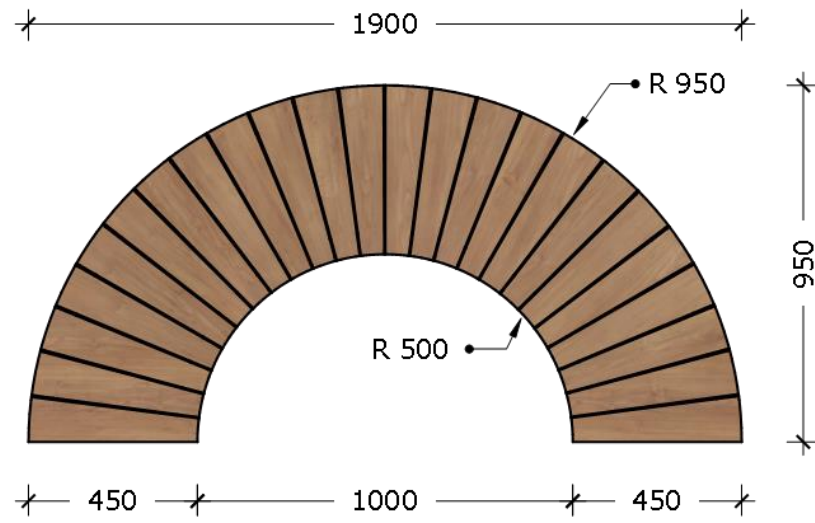


Section View

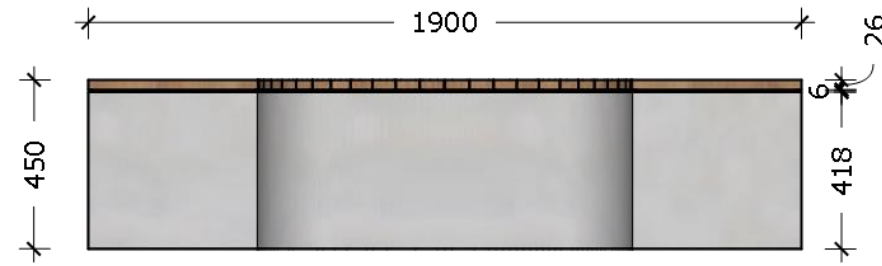


3D View

B-09



Plan View

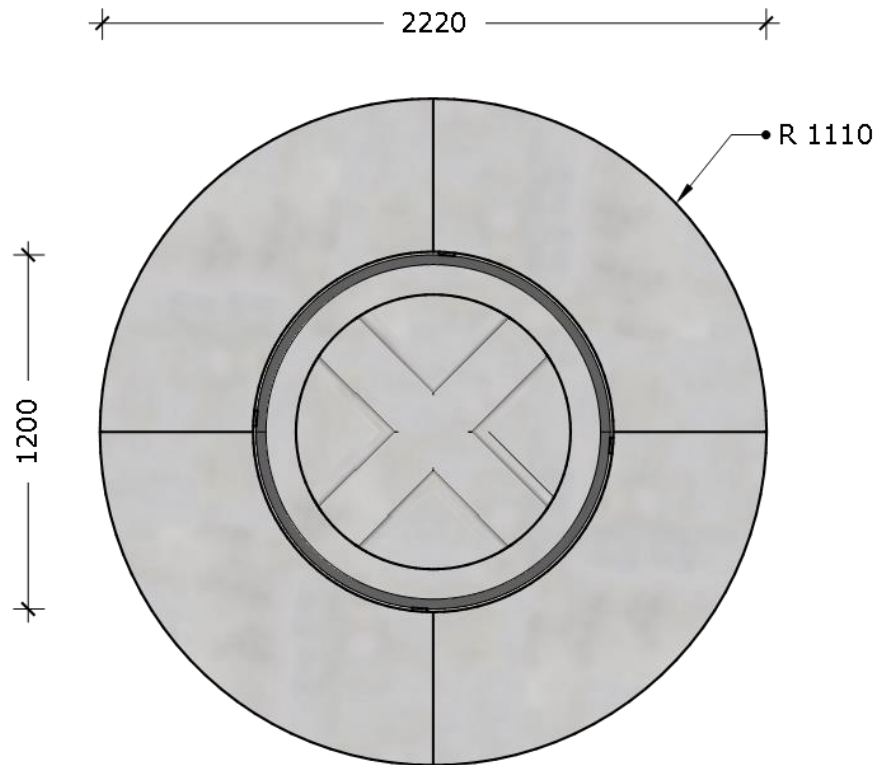


Section View

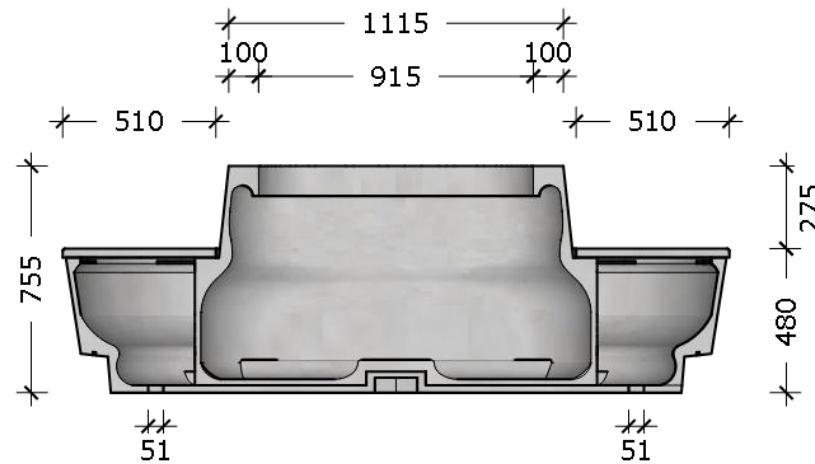


3D View

R-01



Plan View



Section View



3D View