

Satu Bumi

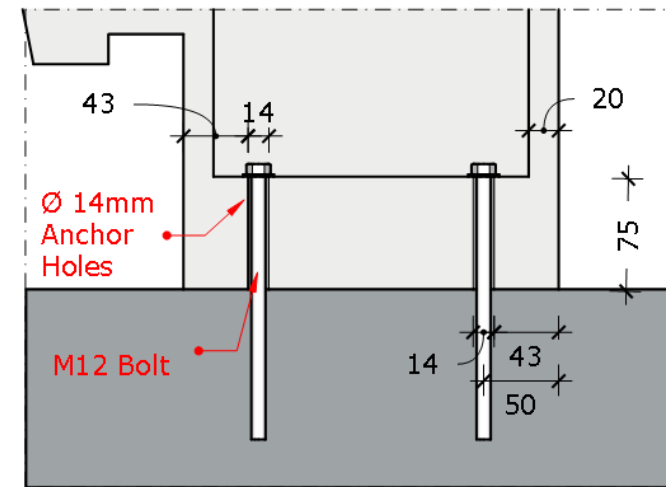
Advanced Concrete Technology

Design Example

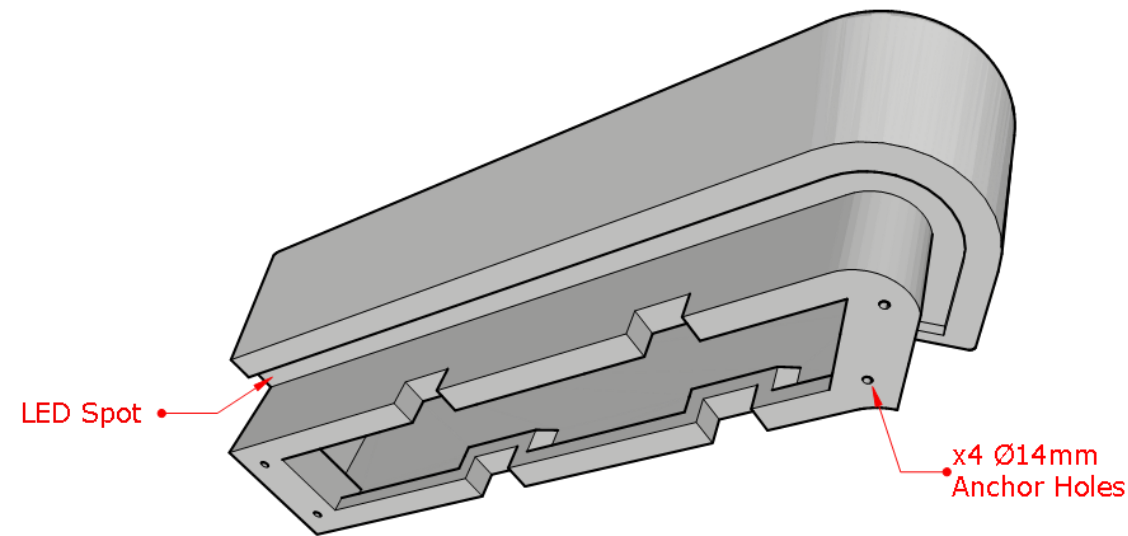
SEAT FIXINGS



1 Plan View B3-B01
Scale: 1 : 15



2 Zoom View A
Scale: 1 : 5@A3



3 3D View
Not to Scale