

STAINLESS STEEL DRAINAGE RISER

Planter drainage is an important issue to consider when sourcing planters and here are a few points to consider that Satu Bumi can assist with: -

Drainage Hole Size

Most planters have either one or more drainage holes to allow water to drain easily rather than build up at the bottom of the planter. This is a sensible standard specification for planters since excess water at the bottom of a planter can cause the roots of the vegetation in the planter to rot. Satu Bumi planters come standard with a 20mm drainage hole. However, this standard can be modified to change the size, location, and/or the quantity of drainage holes. If standard plumbing fittings are to be connected, consideration should be given to ordering 51mm drainage holes.

Avoiding Drainage Hole Blockages

Depending on the planting material used in a planter, there can be a tendency for drainage holes to become blocked. The chances of this happening can be significantly reduced with the installation of a drainage riser.

Retaining a Controlled Amount of Water

There are circumstances when you may not want water to drain from a planter too readily. The most obvious of these circumstances is when you don't want the growing medium in a planter to dry out in the summer months due to inadequate watering. Also, constant or uncontrolled planter drainage can create slippery areas in walkways close to a planter, mulch tannins in the draining water can stain surrounding areas and a continuous flow of drainage water can promote the growth of unwanted moss or weeds. Therefore, the use of a raised drainage riser can provide a level of control over the water drainage to assist in avoiding these issues.

■ The Drainage Riser

Satu Bumi's drainage risers are made of stainless steel and will not rust or degrade during the life of the planter. Therefore, after the installation of a drainage riser and the addition of the planter soil, or alternative growing medium, there should be minimal risk of the drainage hole(s) becoming blocked.

Drainage risers for GRC planters have typically been made of plastic. However, plastic drainage risers have the potential to crack or crush in larger planters where the weight of material added to the planter is heavy. Therefore, Satu Bumi's new drainage risers are manufactured in stainless steel to address this issue.



STAINLESS STEEL DRAINAGE RISER

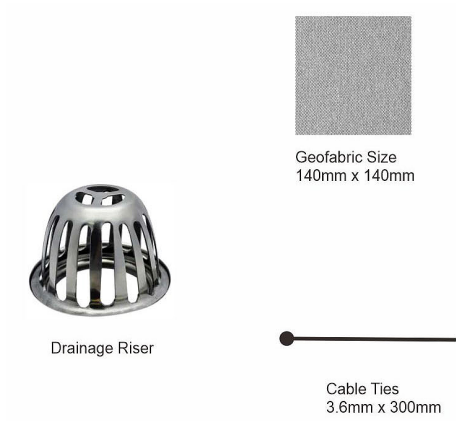
■ Raised Drainage Risers

To control the amount of water retained at the bottom of a planter, the base of the planter underneath the drainage riser can be raised so that water cannot drain until it reaches a predetermined height.

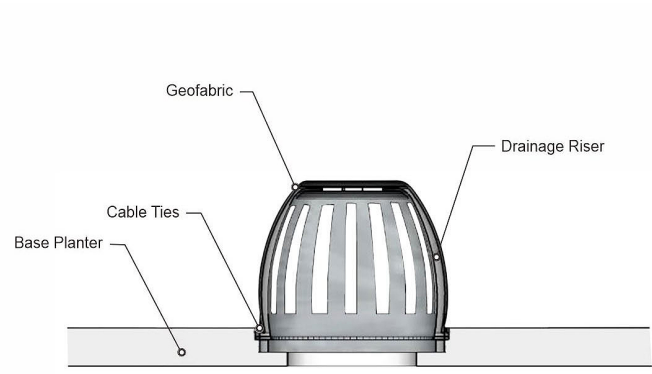
■ Components & Positioning of the Drainage Riser

The following schematic on the next page shows the components of the drainage riser and the way it is positioned at the bottom of a planter.

- The drainage riser is inserted into the normal drainage hole at the bottom of the planter at the factory.
- The bottom of the drainage riser is embedded in concrete to ensure a watertight seal.
- The drainage risers can be raised to whatever height is required by raising the base the drainage riser sits on during the manufacture of the planter.
- The top of the drainage riser is covered with geofabric and the geofabric is secured using plastic cable ties.
- To avoid damage to the drainage riser, soil or alternative growing medium should be added carefully until the drainage riser is completely covered.



1 Drainage Riser Material



2 Drainage Riser Section View



3 Drainage Riser 3D



4 Drainage Riser on Planter

sales@satubumi.com.au
+61 (03) 5292 1001
satubumi.com.au

Last edited: 2nd of May, 2023