

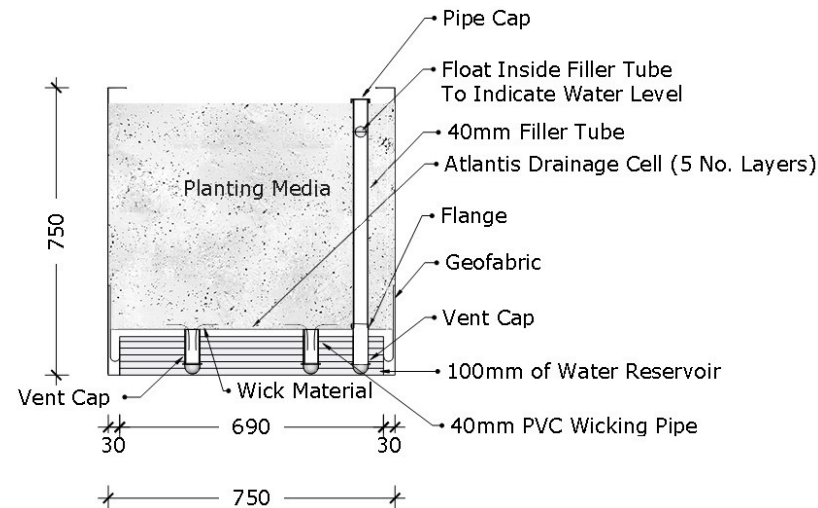
## WICKING SYSTEMS

Garden planters are a great way of creating a garden setting when space is limited, or when water containment is important such as on high rise balconies or in public spaces. However, when planter vegetation is not well managed their aesthetic appeal is significantly reduced and the most important issue to address in vegetation management is the supply of water. Either too much or not enough water can kill plants or make them unhealthy.

Wicking Systems can be very helpful in managing planter water flow and with a little extra cost can go a long way to ensuring that the vegetation in your planters remains healthy and attractive. Therefore, Satu Bumi recommends that due consideration should be given to the installation of wicking systems into planters in commercial projects where plant vegetation often gets overlooked.

### How Does a Wicking System Work?

With wicking systems, a reservoir of water is maintained at the bottom of a planter that is periodically filled through a watering pipe. The planting media acts as a wick so that when one end of the wick is dry, and the other end is hydrated, it provides a moisture gradient which forces the water into the planting media from the reservoir.



**WICKING SYSTEM**

## ■ Advantages of a Wicking System

Wicking systems: -

- Reduce the frequency of watering with the use of a water reservoir.
- Enable more controlled watering management with the use of the wicking process.
- Can potentially eliminate the requirement for drainage outlets when planters are located in tight spaces.

## ■ Sourcing a Wicking System

There are several commercially appropriate wicking systems on the market. However, Satu Bumi has found that because wicking systems often need to be tailored to suite the size and shape of planters that sourcing them directly from the wicking system manufacturer provides the best result.

Satu Bumi does not manufacture or supply wicking systems. However, if they are of interest, Satu Bumi recommends that you contact Fytogreen by email at [info@fytogreen.com.au](mailto:info@fytogreen.com.au) for pricing and supply. Fytogreen custom manufacture their wicking systems for commercial projects and you can review their web site at [www.fytogreen.com.au](http://www.fytogreen.com.au)

sales@satubumi.com.au  
+61 (03) 5292 1001  
satubumi.com.au

Last edited: 2nd of May, 2023