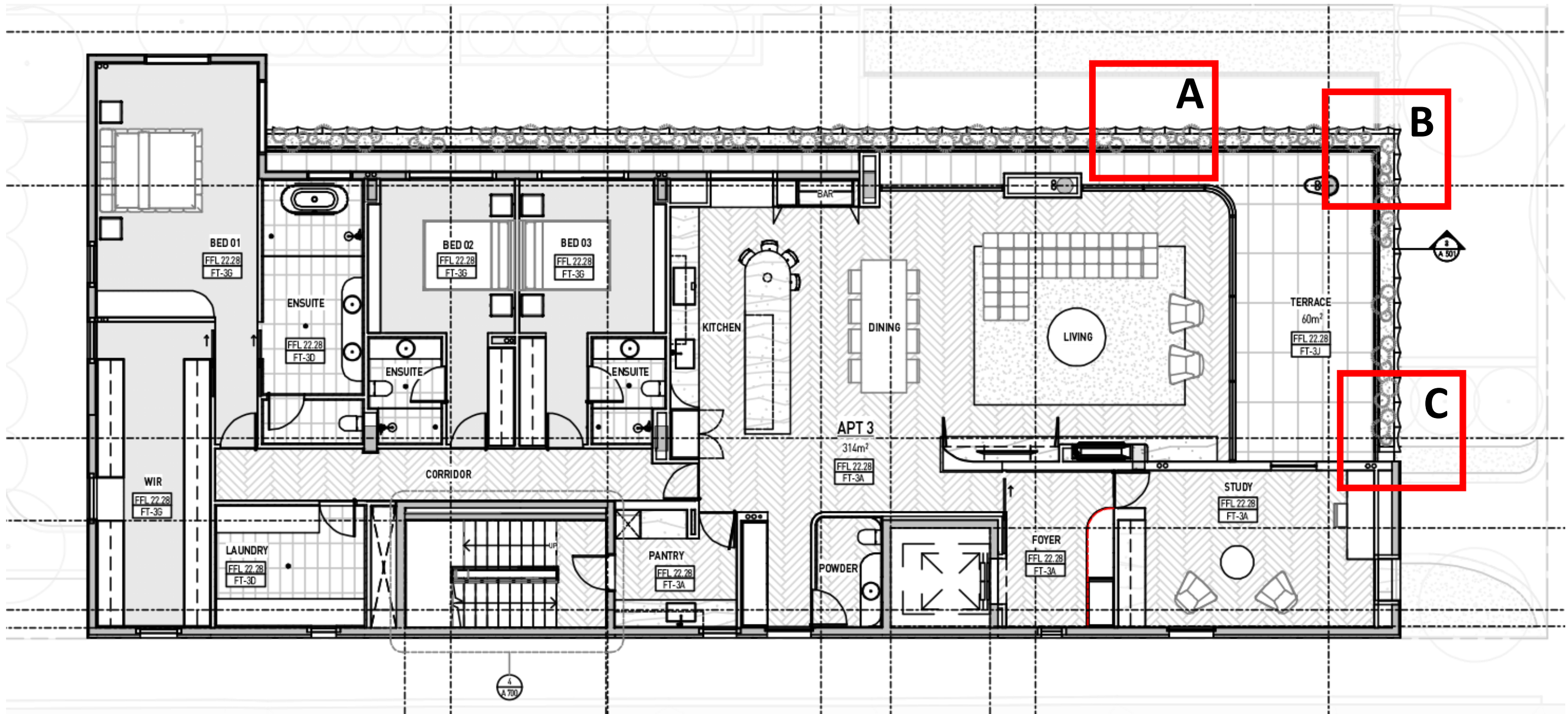
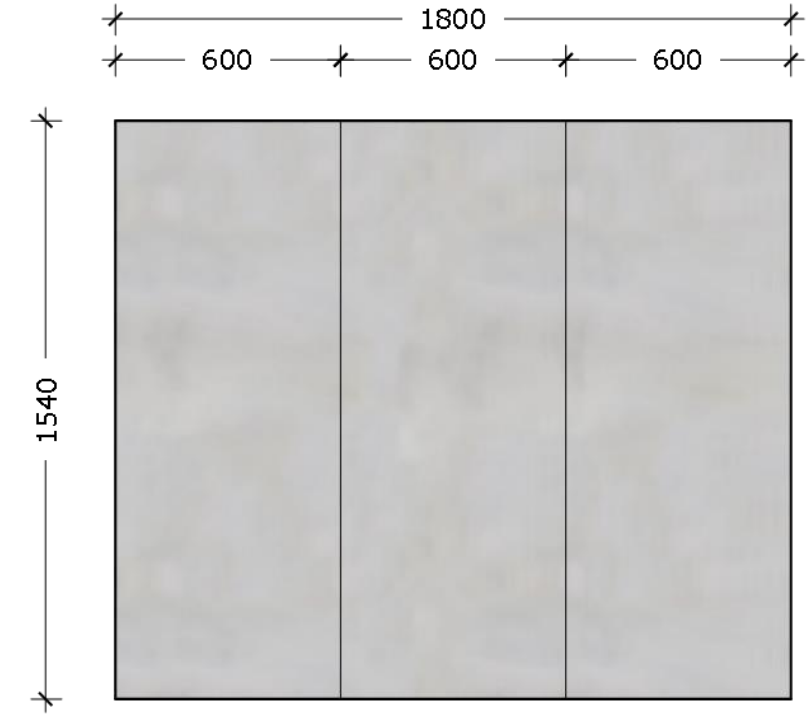
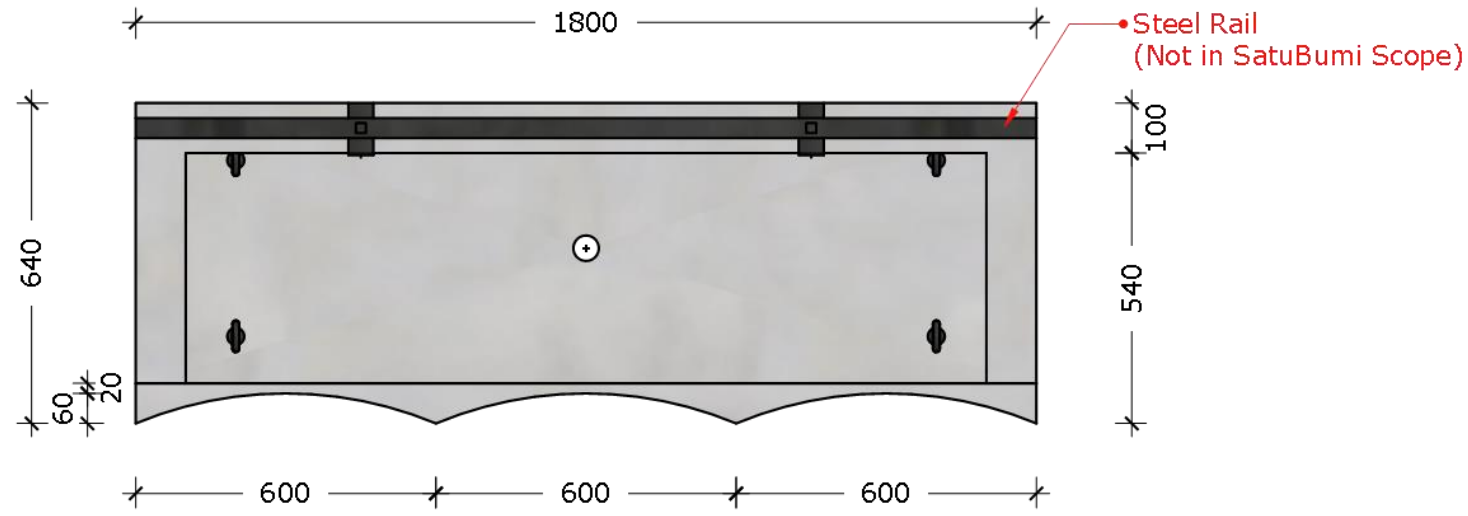


Satu Bumi
Advanced Concrete Technology

Balustrade Example 1

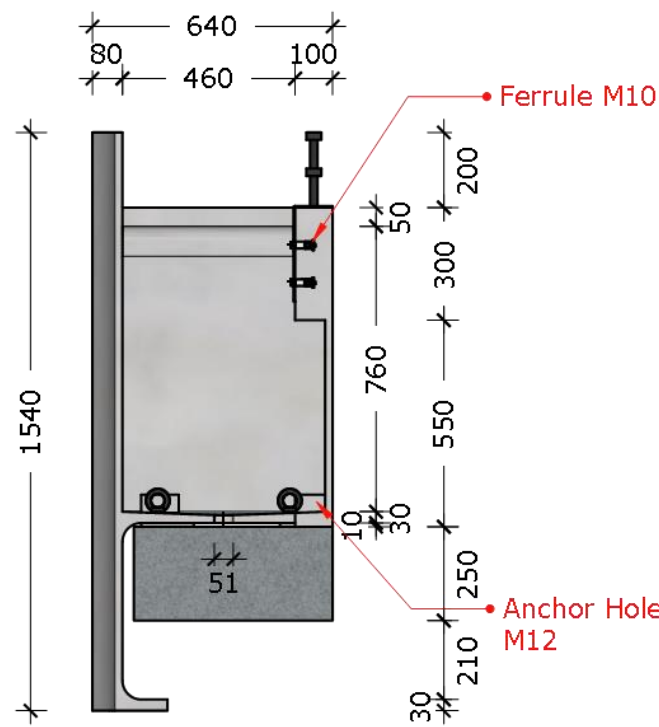
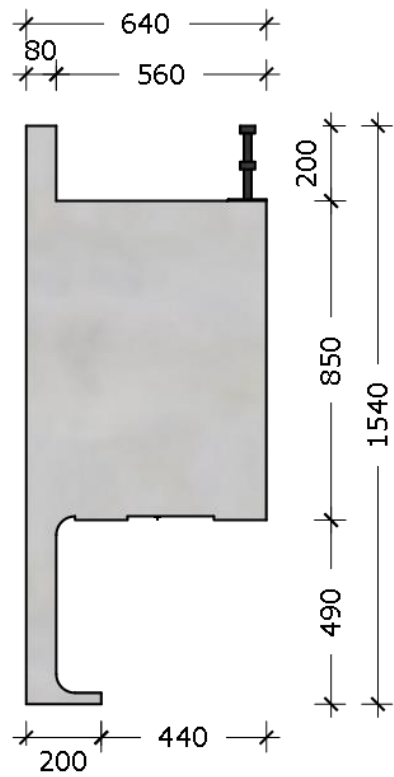


A



Plan View

Front View

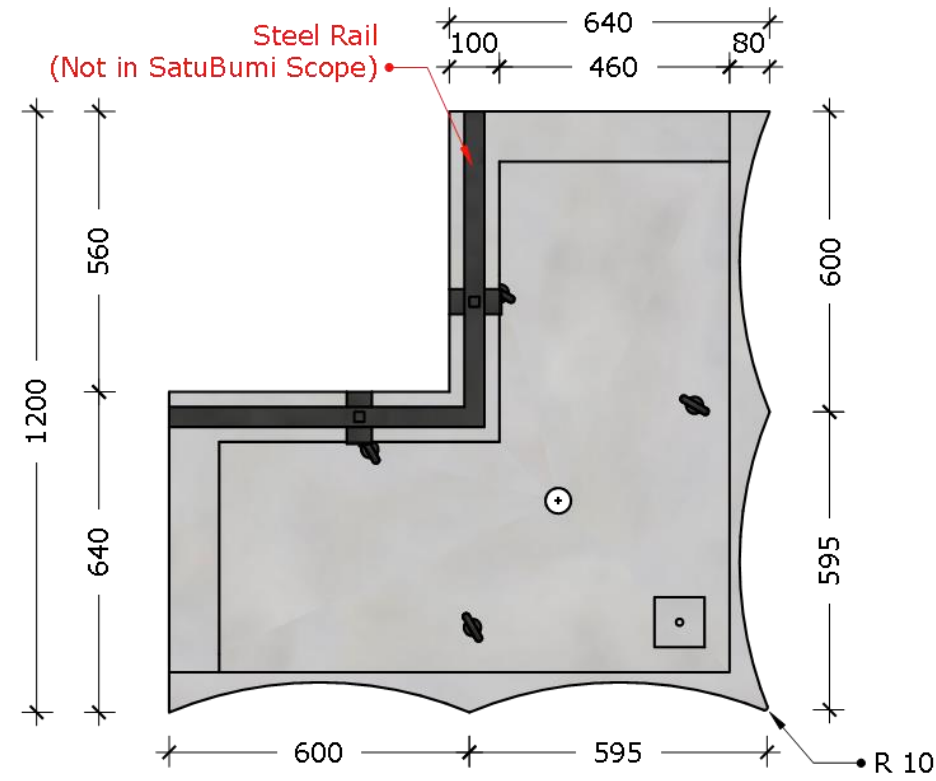


Side View

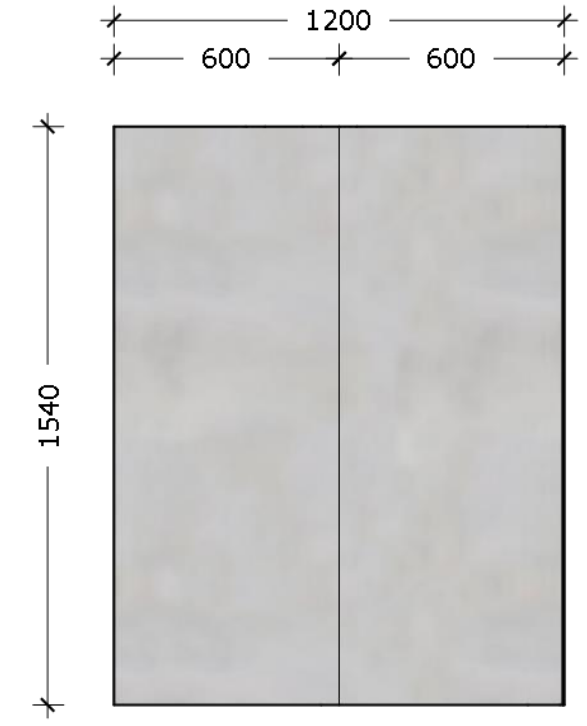
Section View Internal

3D View

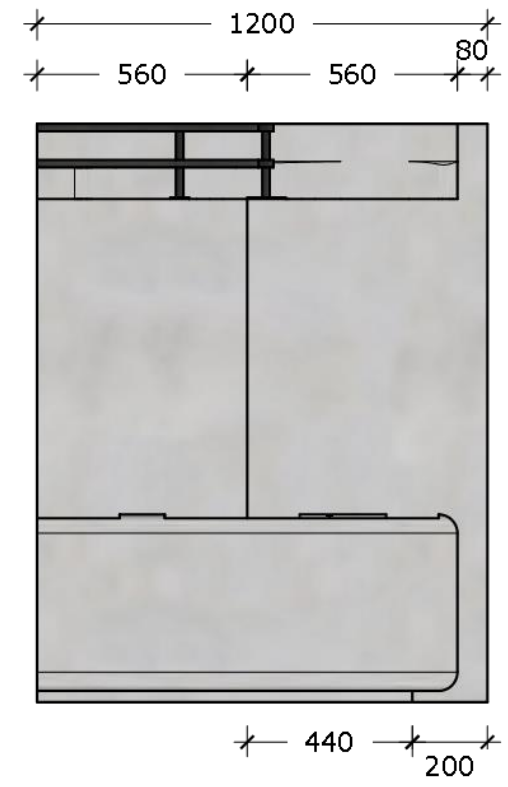
B



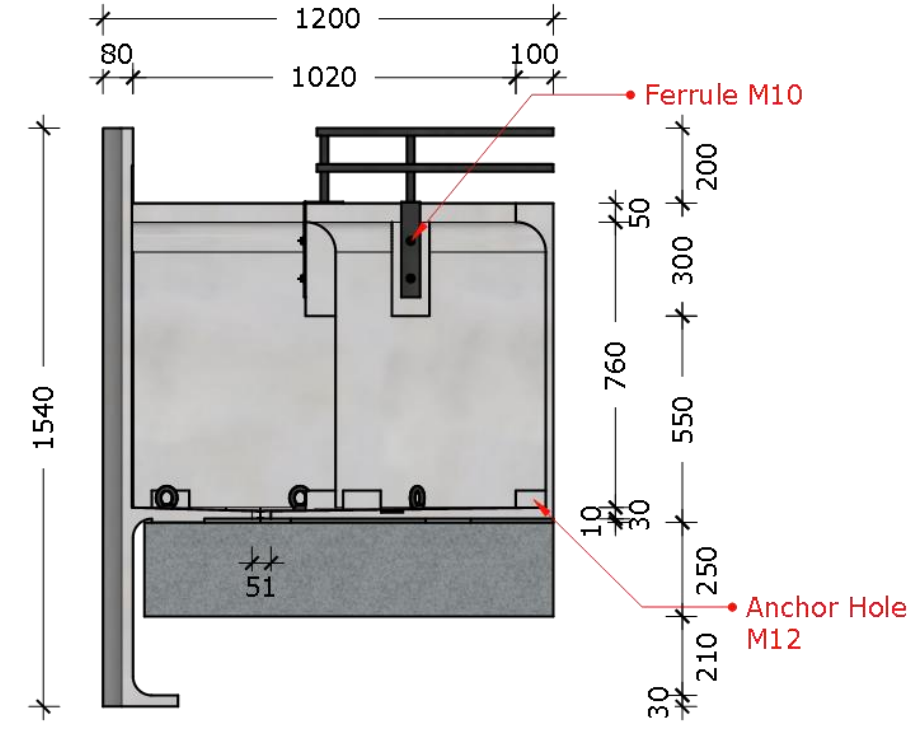
Plan View



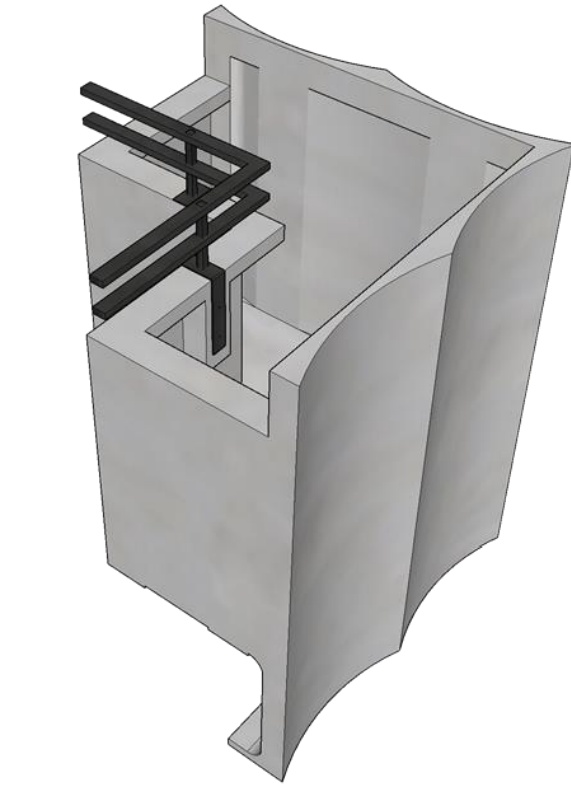
Front View



Side View

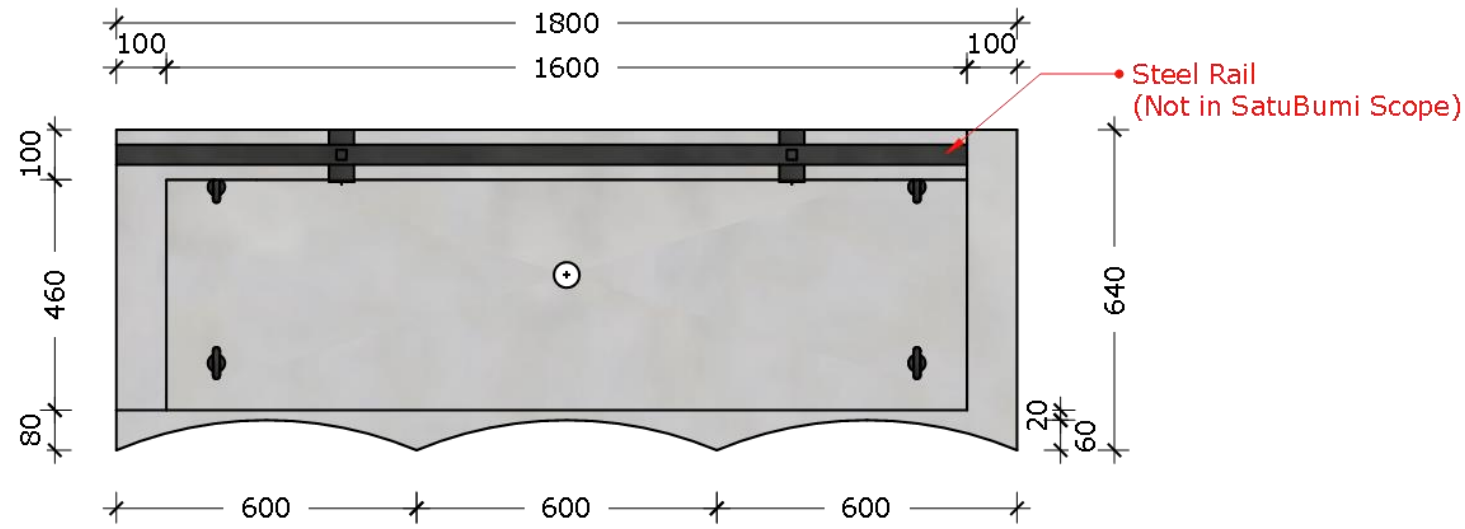


Section View Internal

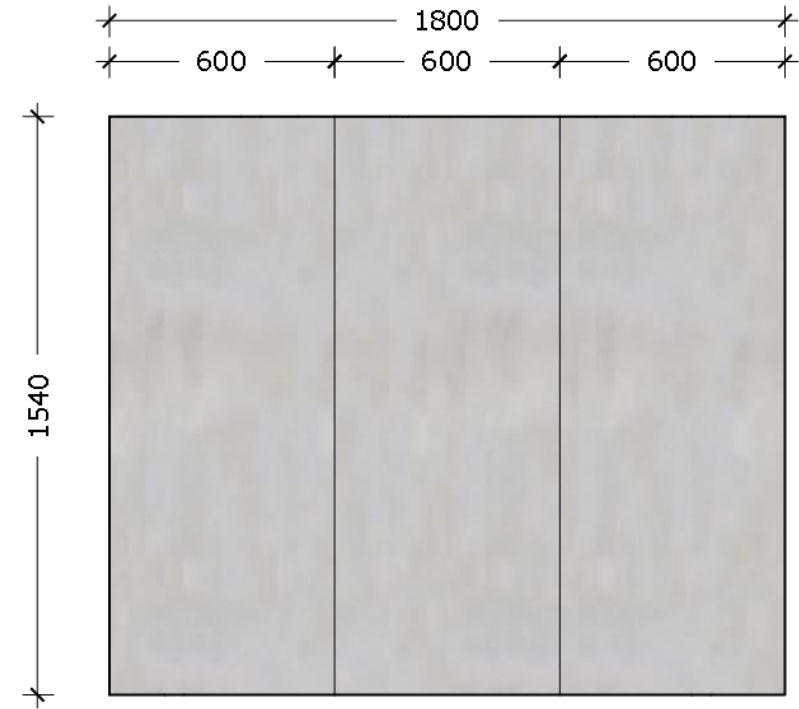


3D View

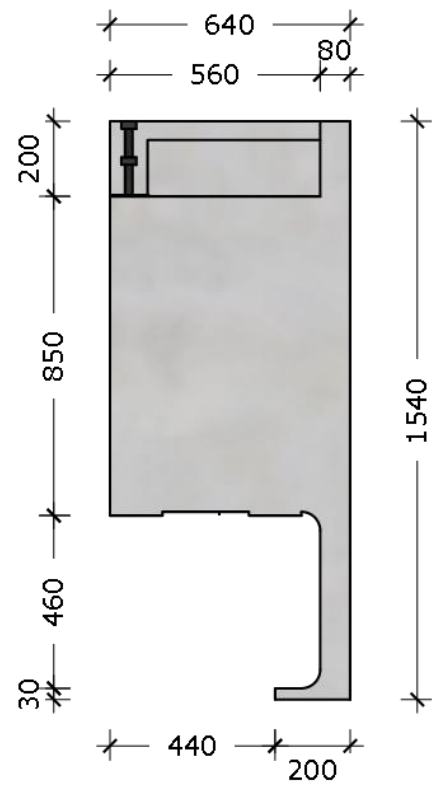
C



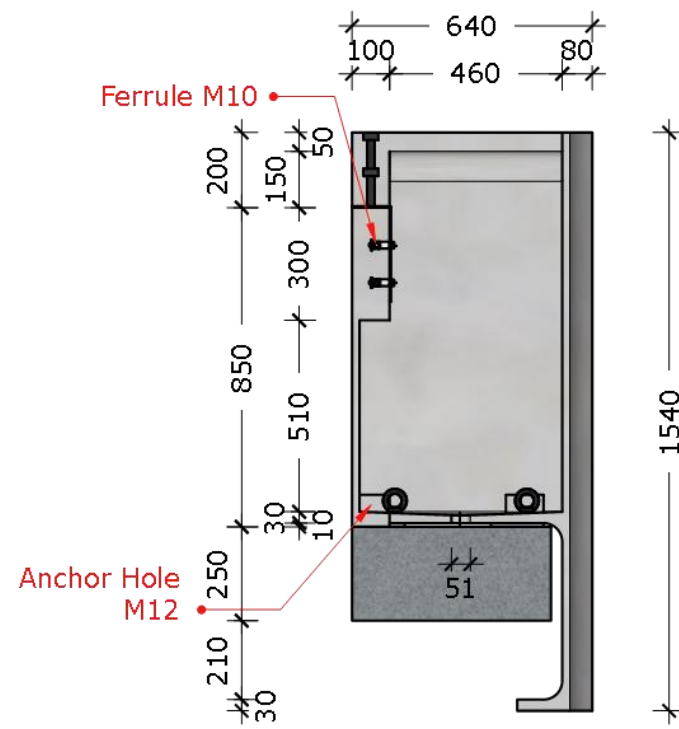
Plan View



Front View



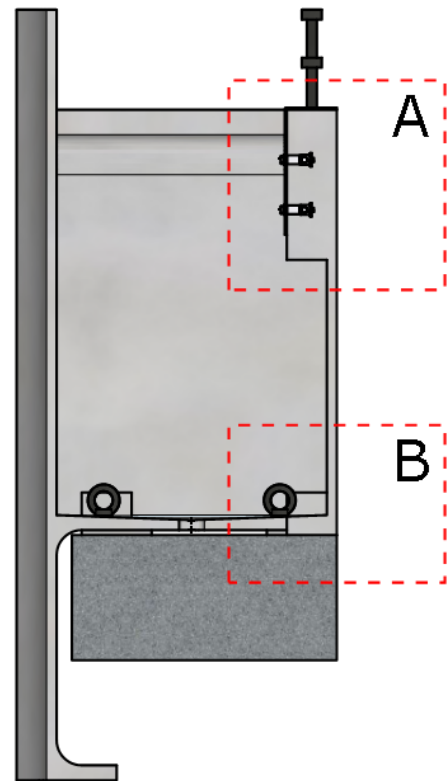
Side View



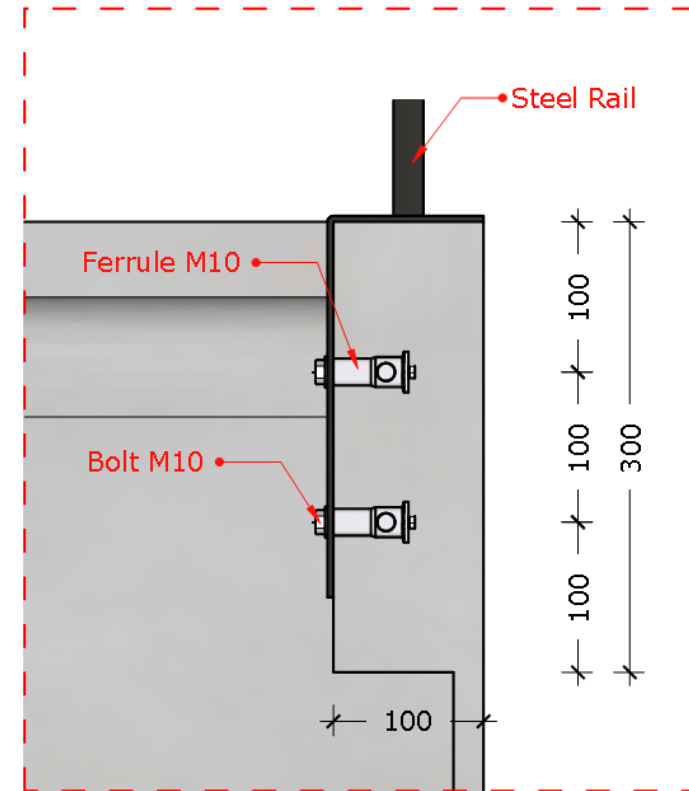
Section View Internal



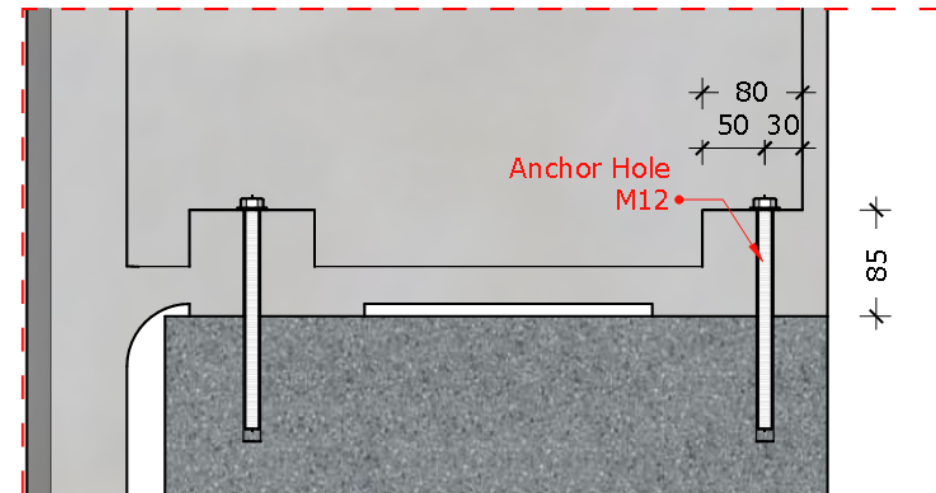
3D View



Section View



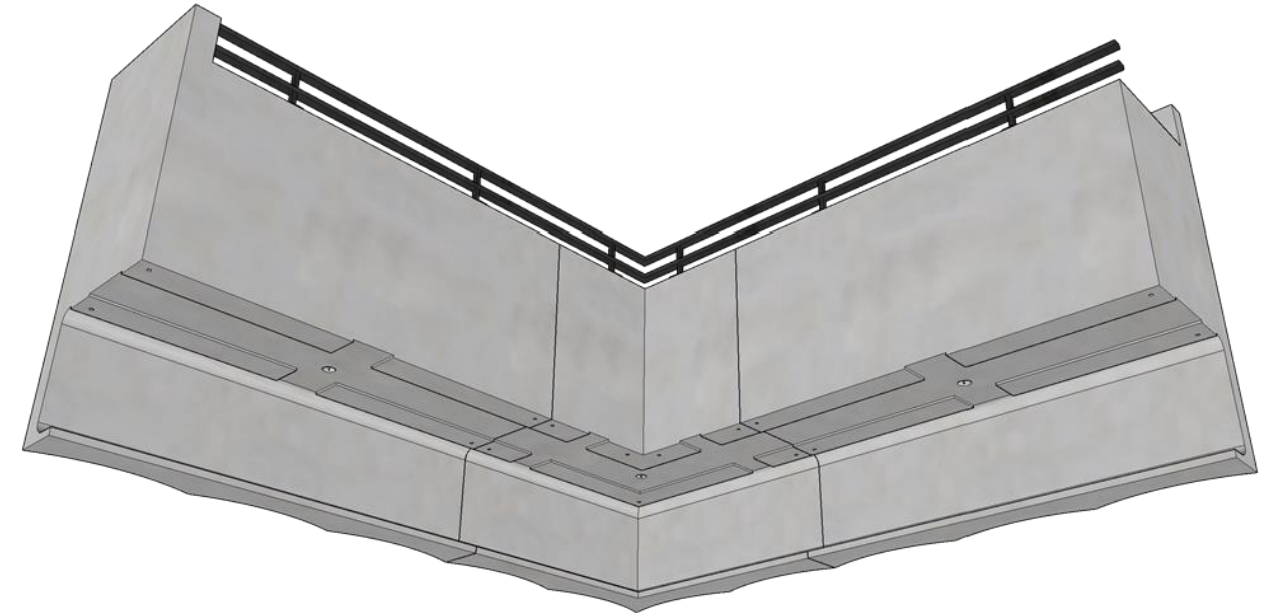
Zoom View A



Zoom View B



○ 3D Fixed View



○ 3D Bottom View



○ Exploded View



○ Transparant View